

# Great Plains



**2-SECTION NO-TILL  
DRILL**

**24' & 30'**

**FLAT FOLD  
MARKER**

**OWNER'S MANUAL**

**Great Plains Manufacturing, Inc.**

P.O. Box 218  
Assaria, KS 67416  
(913)667-4755

113-361M  
Effective 4/8/04

## INTRODUCTION

The GREAT PLAINS FLAT FOLDING NO TILL MARKER is an option made available to fit the Great Plains 2 Section Folding No-Till Drill manufactured after January of 1992.

The marker features as standard equipment a notched 16" disk with depth band, mounted on ("Timken") tapered roller bearings. The disk assembly can be angled to vary the aggressiveness of the cut, and can be mounted to throw dirt in or out. The marker is available in two lengths, capable of marking to the tractor's center line on either a 24' or 30' drill. The marker body is split into 4 sections with 3 hinges that allow the marker to be "flat folded" back upon itself for low profile storage.

Four different assemblies have been created to allow your dealer to order the marker needed to fit your application and your drill. The part numbers and descriptions for these assemblies are as follows:

113-337A	24' NO-TILL LH FLAT FOLD MARKER	(single marker left hand mount only)
113-338A	24' NO-TILL DUAL FLAT FOLD MARKER	(dual markers left and right)
113-339A	30' NO-TILL LH FLAT FOLD MARKER	(single marker left hand mount only)
113-340A	30' NO-TILL DUAL FLAT FOLD MARKER	(dual markers left and right)

Each "A" bundle contains all the marker parts, hardware, hydraulic hoses, hydraulic fittings and valves that you will need to install the marker on your 2 Section No-Till Drill.

Your marker is designed to give you many years of dependable service. This manual has been prepared to instruct you on how to service and keep your marker running in good condition. Read and study it thoroughly. Follow **ALL** instructions and service procedures carefully.

The parts on your Marker have been specially designed. Should your marker ever require replacement parts, contact your Great Plains dealer.

Thank you for buying a Marker for your 2-Section No-Till Drill.

## TABLE OF CONTENTS

Introduction -----	1-1
Table Of Contents -----	1-1
Nut & Bolt Torquing Chart -----	1-2
Safety Rules -----	1-2
Marker Installation Instructions -----	1-3
Single Marker Hydraulics -----	1-8
Dual Marker Hydraulics -----	1-10
Marker Adjustments-----	1-12
Marker Maintenance & Lubrication-----	1-13
Marker Transportation-----	1-13
Bleeding Of The Hydraulics -----	1-14
Trouble Shooting-----	1-15
Warranty -----	1-16
Parts Book Table Of Contents-----	1-17

## NUT & BOLT TORQUING CHART


This chart is based on torque requirements in foot pounds for grade 5 bolts.

BOLT DIAMETER	MINIMUM TORQUE	MAXIMUM TORQUE	BOLT DIAMETER	MINIMUM TORQUE	MAXIMUM TORQUE
1/4"	9	11	3/4"	270	324
5/16"	17	20	7/8"	400	480
3/8"	35	42	1"	580	696
7/16"	54	64	1 1/8"	800	880
1/2"	80	96	1 1/4"	1120	1240
9/16"	110	132	1 3/8"	1460	1680
5/8"	150	180	1 1/2"	1940	2200

**NOTE:** Torque requirements listed above do not apply to self-locking nuts. For self-locking nuts increase torque requirements listed above by 15%.

### **SAFETY RULES**

The safe operation of machinery is a big concern to farmers and manufacturers. You Markers have been designed with many built-in safety features. However, no one should operate the Drill or Markers before carefully reading this Owner's Manual.

1. **NEVER** permit anyone near machinery while in operation.
2. Excessive marker folding speed can cause marker damage.
3. **NEVER** allow anyone to be near the drill when cycling the markers.
4. Reduce speed of the tractor when transporting over uneven or rough terrain. Avoid all chuck holes and washboard areas in roads.
5. Reduce speed of the tractor when transporting over hills or steep slopes.
6. **DO NOT** lubricate, adjust or repair the drill while it is in operation.
7. When in transport, use accessory lights and devices for adequate warning to operators of other vehicles and use safety hitch chain. Comply with all Federal, State and Local laws when traveling on public roads.
8. Use "Slow Moving Vehicle" emblem for warning vehicles approaching from the rear.
9. **DO NOT** permit smoking, sparks, or an open flame where combustible lubricants or liquids are being used.
10.  **CAUTION!** Escaping fluid under pressure can have sufficient force to penetrate the skin. Check all hydraulic lines and hoses **BEFORE** applying pressure. Fluid escaping from a very small hole can be almost invisible. Use paper or cardboard, **NOT BODY PARTS**, to check for suspected leaks. If injured, seek medical assistance from a doctor that is familiar with this type of injury. Foreign fluids in the tissue must be surgically removed within a few hours or gangrene will result.
11. **DO NOT** allow anyone to operate the Drill who has not been properly trained in its safe operation.

## INSTALLATION INSTRUCTIONS: 1992 2SNT 24' & 2SNT 30' MARKERS

### **PREPARATION:**

1. Pull the drill to an area large enough to allow the marker to be assembled unfolded. Unfold the drill. If your drill is to be equipped with dual markers, allow clearance to complete the assembly of both left and right markers. Both sides should be assembled before charging the hydraulic cylinders and folding the markers for the first time.

Lower the drill, park and shut off the tractor.

### **GENERAL ASSEMBLY NOTES:**

2. a. Several of the marker weldments are pre-assembled and banded together for shipment. Unpack the shipment and group the assemblies according to right or left hand.

b. The following notes and illustrations show each major weldment assembled separately. This method is shown in case the person doing the assembly does not have access to a forklift, and needs to assemble the parts by hand. Several of the steps are eliminated if a forklift is used to lift the larger preassembled groups into place.

c. The following notes and illustrations detail the assembly of a left hand marker. If a single hydraulic marker was ordered for your drill, it must be installed on the left hand side. If you are installing dual markers, follow the steps below for the left hand side, and repeat them to install the right.

3. Referring to Fig. 1, install the left hand marker mount (# 1) on the left box (# 2). The mount is fastened to the drill using two u-bolts (# 3), lock washers (# 4) and nuts (# 5). Install the first section of the marker (# 6) on the mount (# 1) by pushing the pivot shaft (# 7) through the pivot holes on the mount and the first section. Use the bolt (# 8) and lock nut (# 9) to retain the shaft in the mount.

Mount the left hand breakaway hinge (# 10) onto the first section (# 6) by pushing the pivot shaft (# 11) through the pivot holes in each part. Use the bolt (# 8) and lock nut (# 9) to retain the shaft.

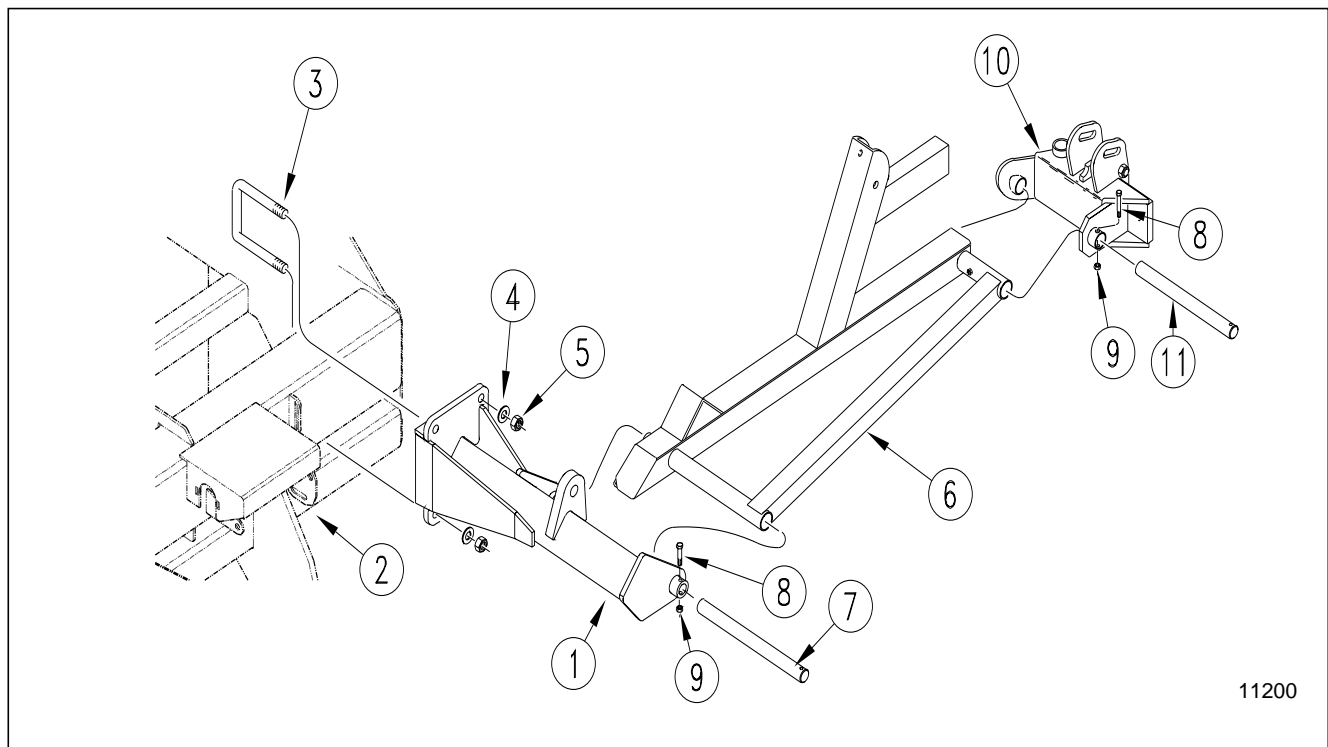


Fig. 1

## INSTALLATION INSTRUCTIONS: 1992 2SNT 24' & 2SNT 30' MARKERS (CON'T.)

4. Referring to Fig. 2, pin the base end of the hydraulic cylinder (# 12) to the marker mount (# 1) using the pin and retainer (#13 & 14). Remove the plastic shipping plugs from the cylinder ports, and pull the rod end of the cylinder out to its maximum length. Pin the rod end of the cylinder by working the cylinder pin (# 15) through one slotted ear on the breakaway hinge (# 10), through the cylinder's rod end clevis, and out the other ear on the hinge. The rod end pin is retained by placing the flat washers (# 16) on the outside of the slotted ears, and cotter pins (# 17) through the holes in the pin.

Again referring to Fig. 2, install the chain bar weldment (# 18) on the first section (# 6). The chain bar should pivot freely around the bolt (#19) which is fastened with lock nut (# 20). Directly below the pivot bolt for the chain bar weldment (# 18) is a single hole in which the full threaded adjustment bolt (# 21) is installed. To install, first thread one lock nut (# 22) up the entire threaded length of the bolt. Next, push the bolt with nut through the hole in the mast of the first section (# 6), and complete the assembly by threading a second lock nut (# 22) up the entire remaining length of the full threaded bolt.

Information on the adjustment of this bolt, which is designed to take the slack out of the chain when the marker is in the folded position, can be found in the "**Adjustments**" section of this manual. For now, it is important that the head of the adjustment bolt extend as little as possible which will prevent the parts from being damaged the first time the marker is folded.

Thread a utility clevis (# 23) through one end of the chain (# 24). Pin this clevis to the chain bar weldment (# 18) using the pin and cotter (# 25 & 26) that came with the utility clevis. Do not fully bend the cotter pin at this time, the chain will be adjusted later before the marker is folded for the first time. Chain length adjustments are done at the end of the chain towards the center of the drill. Thread a second utility clevis (# 23) through the last link at the opposite end of the chain (# 24). Pin this clevis to the chamfered end of the chain bar (# 27) using the pin and cotter (# 25 & 26) that came with the utility clevis.

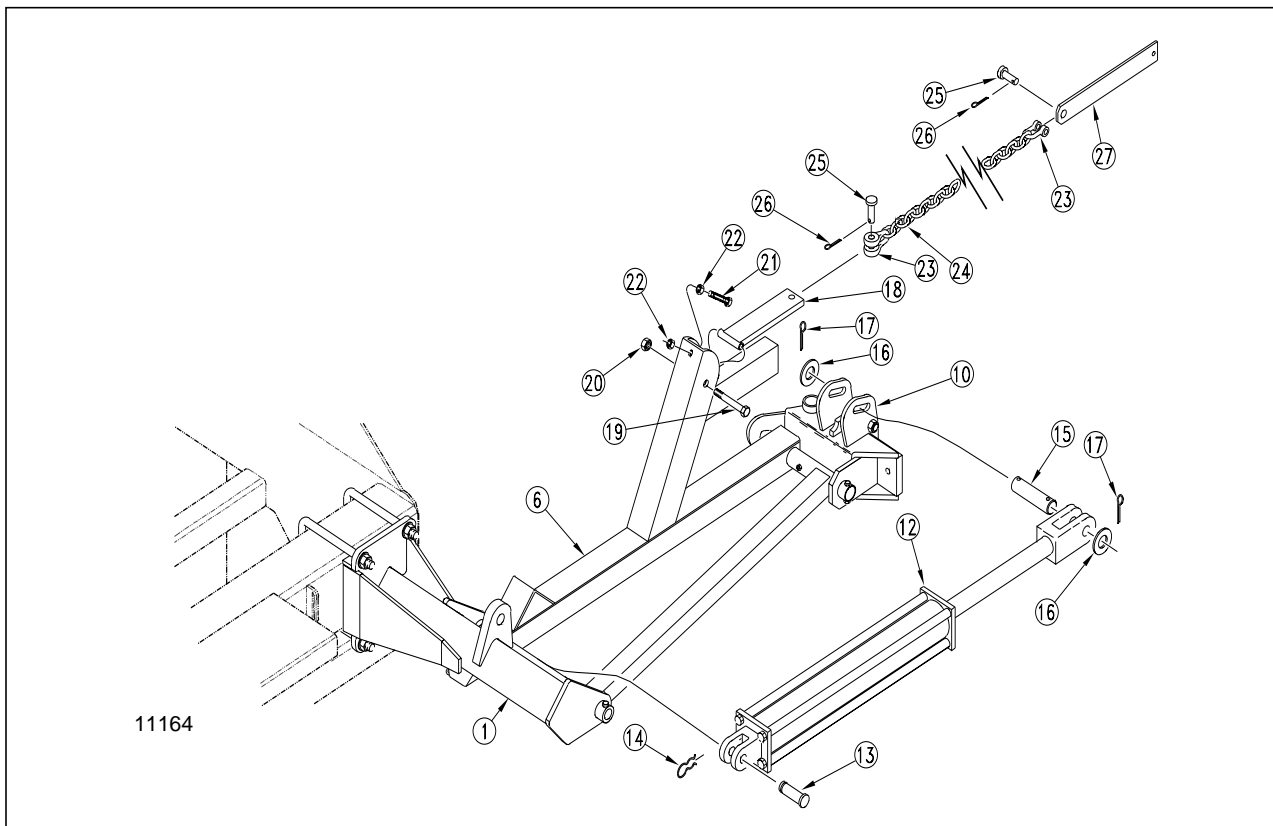


Fig. 2

## INSTALLATION INSTRUCTIONS: 1992 2SNT 24' & 2SNT 30' MARKERS (CON'T.)

5. Referring to Fig. 3, attach the 2nd section maker weldment (# 28) to the breakaway hinge (# 10) by passing the pivot pin (# 29) through the pivot hole in the hinge and weldment. Retain the pivot pin (# 29) with the bolt and lock nut (# 8 & 9). Complete this joint by passing the special GRADE 2 breakaway bolt (# 30) through the holes in the hinge and 2nd section. Install the lock washer (# 31) and nut (# 32) on this bolt.

**NOTE:** The breakaway bolt (# 30) is a 7/16"-14 x 2" long - grade 2 (G.P. # 802-353C) It is identified as a grade 2 by having no marks on the head. If it breaks, it must be replaced by an equivalent grade 2 bolt to prevent marker damage.

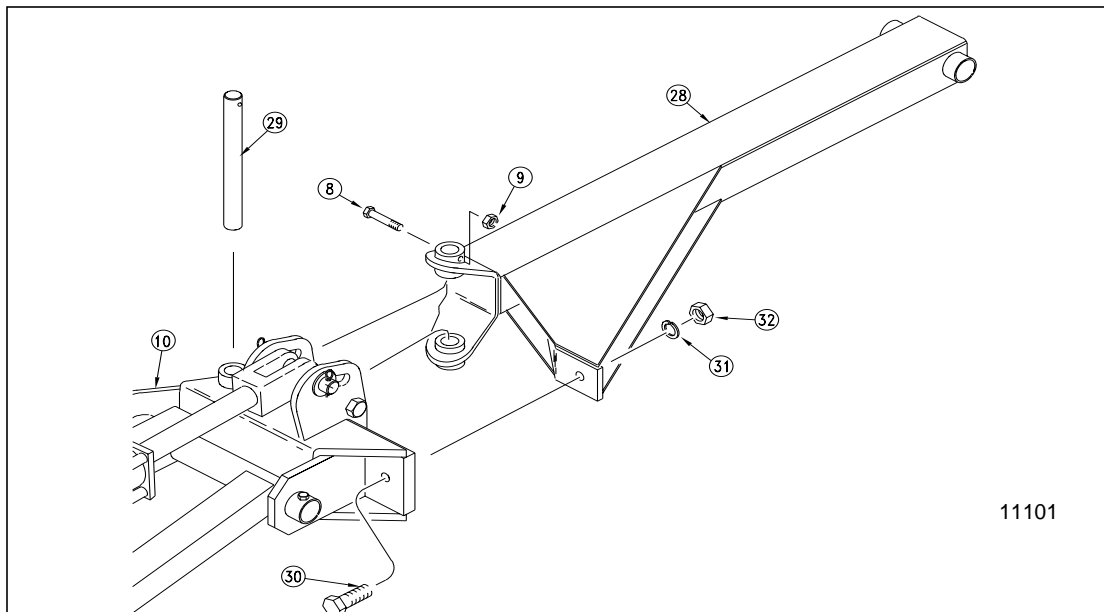


Fig. 3

6. Referring to Fig. 4, attach the 3rd section (# 33) to the 2nd section (# 28) by using the pivot pin (# 29). Retain the pivot pin with the bolt (# 8) and lock nut (# 9).

Note: The next few steps are made easier if the marker's outer sections are lifted off the ground by a support approximately 12" to 18" tall placed under the outer end of the 3rd section (# 33).

Pull the loose end of the chain and chain bar (# 27) out and fasten the chain bar to the ears on the 3rd section (# 33) by using the bolt (# 34) flat washers (# 35) and lock nut (# 36). Do not over tighten this pivot and cause the ears to bend in. The chain bar must pivot freely around the bolt.

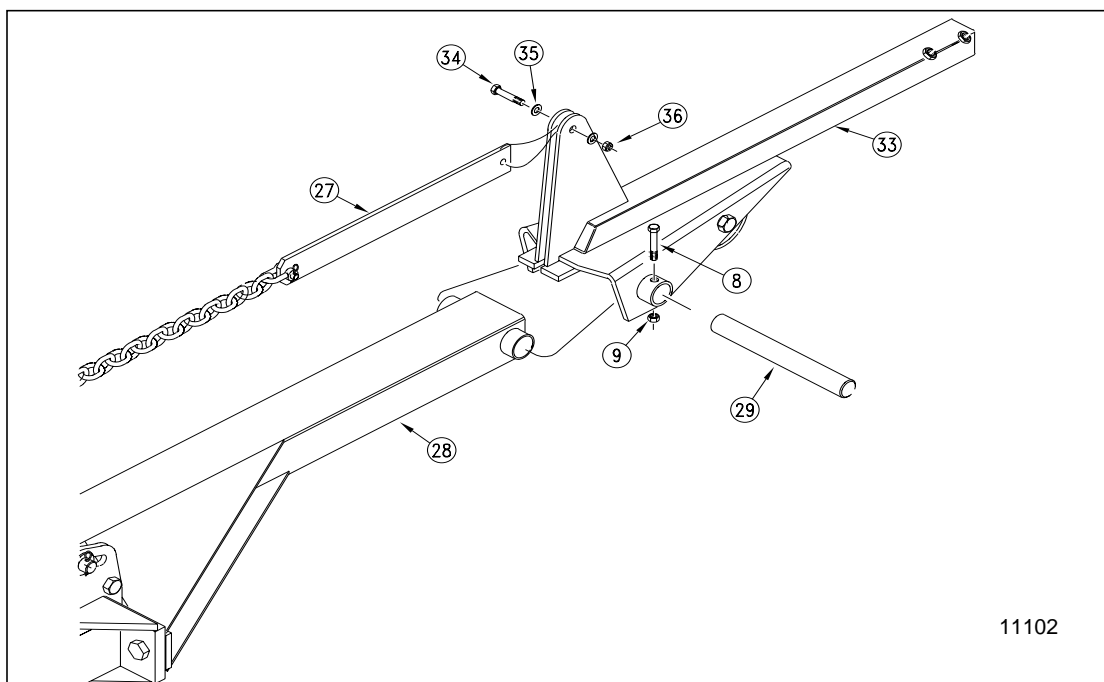


Fig. 4

**INSTALLATION INSTRUCTIONS: 1992 2SNT 24' & 2SNT 30' MARKERS (CON'T.)**

7. Referring to Fig. 5, slide the fourth section tube (# 37) inside the 3rd section (# 33). The holes in the 4th section must be to the outside of the drill and need to be on the top and bottom side as shown. Thread the jam nuts (# 38) on the square headed set screws (# 39). Thread the set screws into the nuts welded to the outer end of the 3rd section (# 33). Tighten the set screws and jam nuts.

8. Again referring to Fig. 5, slide the blade and spindle assembly (# 40) over the 4th section tube (# 37). Pass the bolt (# 41) through a flat washer (# 42), through the hole in the spindle weldment, and through the holes in the 4th section tubing. Complete the joint by fastening a flat washer (# 42), a lock washer (# 43) and a nut (# 44) onto the bolt. In a similar manner, install the second bolt through the adjustment slot, next the first bolt. Tighten these two nuts.

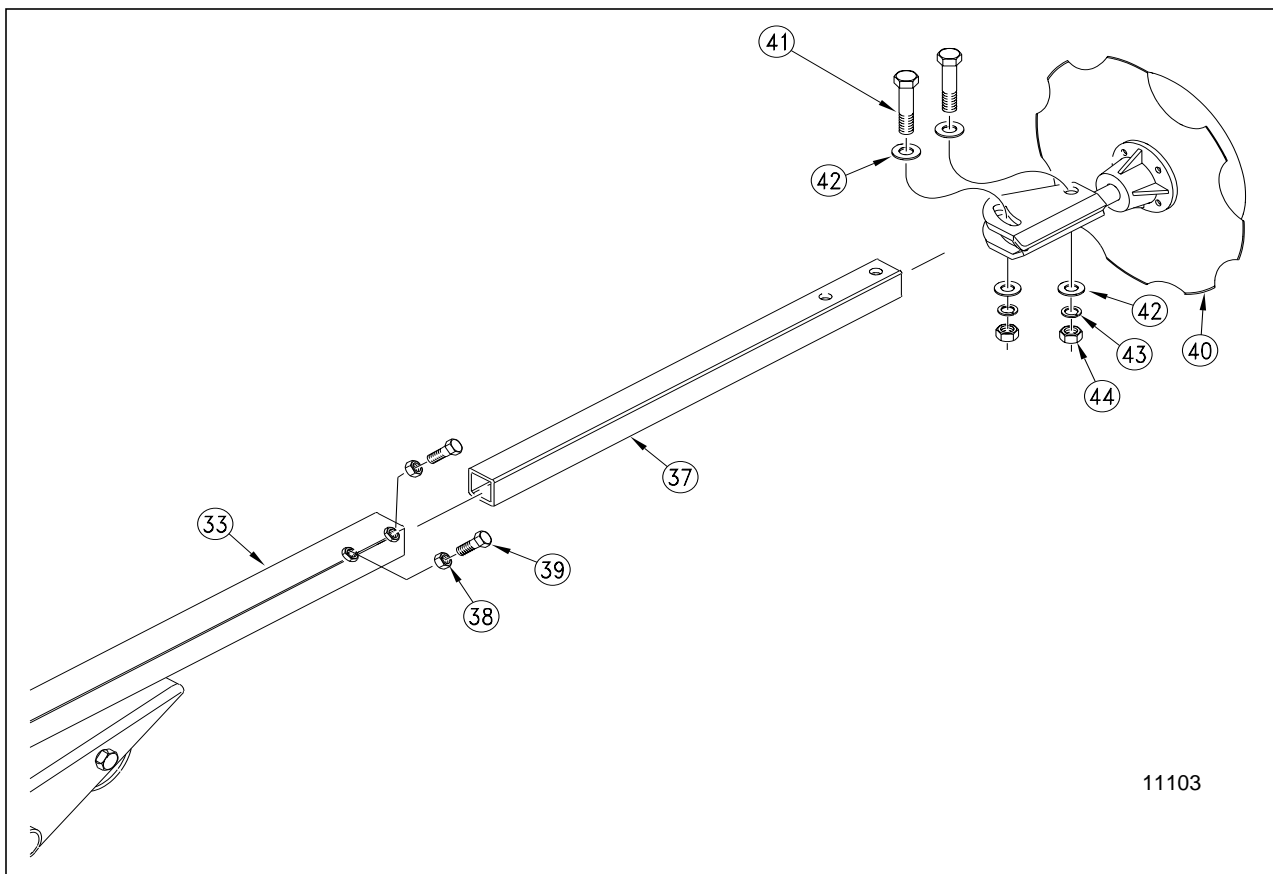


Fig. 5

## INSTALLATION INSTRUCTIONS: 1992 2SNT 24' & 2SNT 30' MARKERS (CON'T.)

9. Mount the transport carrier arm on the box by u-bolting it to the pull bar ears as shown in Fig. 6. The carrier arm (# 45) will fit on either side of the pull bar ear (# 46) but on drills that are equipped with the small seeds box, the carrier must be installed towards the center of the drill as shown. Hold the carrier in place by passing the two u-bolts (# 47) over the carrier tube, and through the holes in pull bar ears. Tentatively, tighten the u-bolts with the lock washers (# 48) and nuts (#49) so that the top of the carrier is approximately 31 3/8" above the top surface of the box's 6" x 6" frame tube.

Mount the transport saddle (# 50) on the top of the carrier arm (# 45) using the u-bolts (# 51), lock washers (# 48) and nuts (# 49). On 24' drills it is important that the saddle (# 50) be positioned so that the offset in the saddle is to the outside of the drill as shown. Saddles on 30' drills may be oriented either in or out.

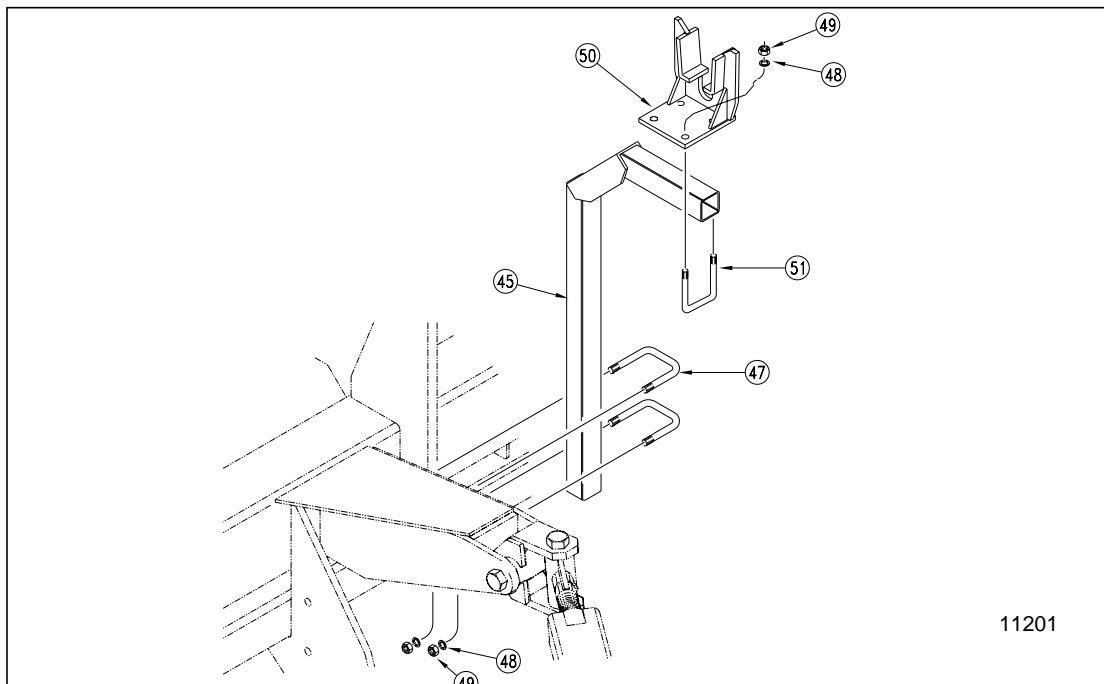


Fig. 6

**NOTE:** Dual Marker Installations.... To complete the installation, repeat steps 3 through steps 9 on the opposite marker.

All Installations.....

After all parts are in place, go back over the entire installation and tighten every bolt and u-bolt. Refer to the torque chart in the front of your drill's owners manual. U-bolts can be torqued to grade 5 bolt values.

When finished, read and follow the MARKER HYDRAULIC SYSTEM INSTALLATION section of this manual.

**CAUTION!** BEFORE FOLDING THE MARKER(S) FOR THE FIRST TIME, READ THE SECTION ON ADJUSTMENTS IN THIS MANUAL.



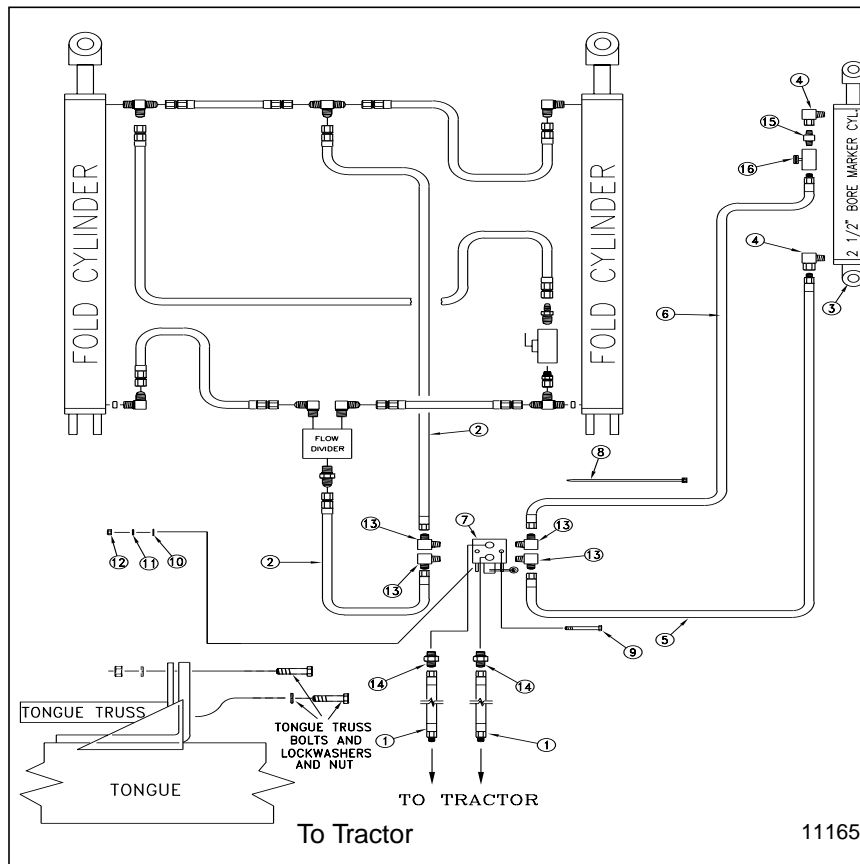
## **MARKER HYDRAULIC SYSTEM INSTALLATION**

### **INSTALLING: 24 or 30' SINGLE MARKER HYDRAULICS**

GENERAL NOTE: JIC fittings do not require high torque. JIC and O-ring fittings do not require sealant. To avoid cracking fittings or castings from overtightening, DO NOT use plastic sealant tape.

REFER TO THE PICTORIAL HYDRAULIC SCHEMATIC Fig. 7 WHEN INSTALLING SINGLE MARKER HYDRAULICS.

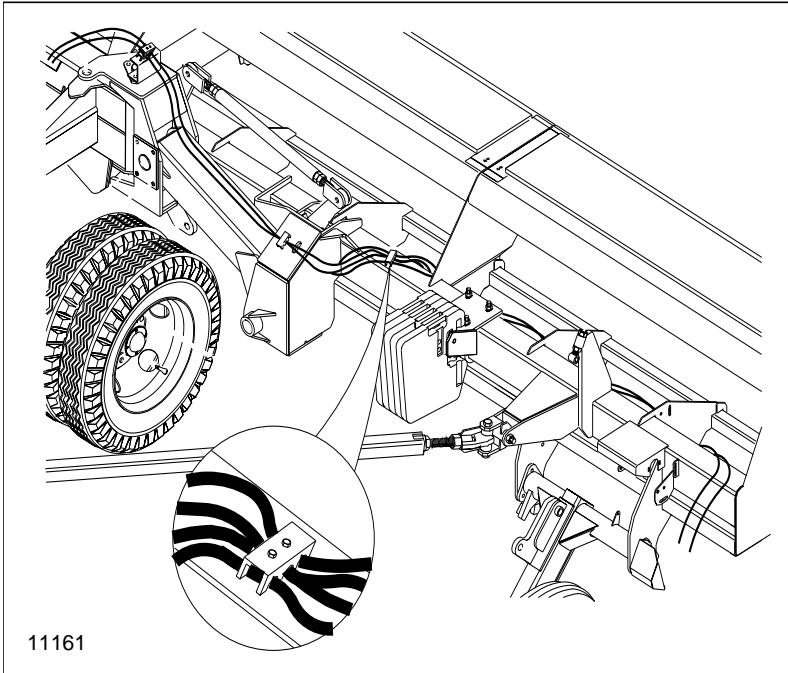
1. Attach the 90° swivel elbow (#4) to the base and rod end of the marker cylinder (#3). Thread the close nipple (#15) in the swivel of the elbow (#4), and thread the needle valve (#16) on the close nipple.
2. Uncoil and attach hose (#6) to the needle valve (#16) on the rod end of the marker cylinder (#3). Uncoil and attach hose (#5) to the swivel elbow (#4) attached to the base end of the marker cylinder (#3). Route these two hoses through the frame member cut-outs and hose clamps. Parallel to the hoses feeding the outer gage wheel cylinder as shown in Fig. 8 on page 1-9. Place the hoses in the clamps later, after the free ends are plumbed.
3. Referring back to schematic Fig. 7, Bolt the selector valve (#7) to the tab provided on the carrier lug cross member. (The carrier cross member can be identified as part #5, page 1-1 in the Main Frame Parts Drawing in the Parts section of your 2SNT Drill Owners Manual). The valve is held in place with bolts (#9), flat washers (#10), lock washers (#11) and nuts (#12).
4. Install the four elbow fittings (#13) in the side ports of the selector valve (#7). Install the two straight fittings (#14) in the two top ports of the selector valve (#7).
5. Locate the two long hoses (#1) coming from the tractor, going to the fold cylinders. Break the first hose at the "T" between the rod end of the fold cylinders, the second at the flow divider. Take these same two hoses and install them on the top two selector valve fittings (#14).
6. The two hoses just removed from the fold cylinders are replaced by two shorter hoses (#2). Run one from the "T" between the rod end of the fold cylinders to the elbow (#13) on the side of the selector valve. Run the other from the fold cylinder's base end flow divider to the adjacent elbow (#13).
7. The last hoses to connect should be the two coming from the marker cylinder. Connect these to the two remaining elbows (#13) on the selector valve (#7) as shown.



Single Marker Hydraulics  
Fig. 7

## HOSE CLAMPING AND ROUTING

8. Refer to the hose routing illustration Fig. 8, to fine tune the hose placement. Make a generous loop in both hoses near the box's flex hinge. This loop should be large enough to allow the outer box wing to flex without the hoses pulling tight. Maintain the loops by clamping the hoses in the existing hose clamps, using the split rubber sleeves as bushings between the clamps and the marker hose. Use the cable ties supplied with the kit to hold the hoses away from any pinch point along their path.



Hydraulic Hose Routing  
Fig. 8

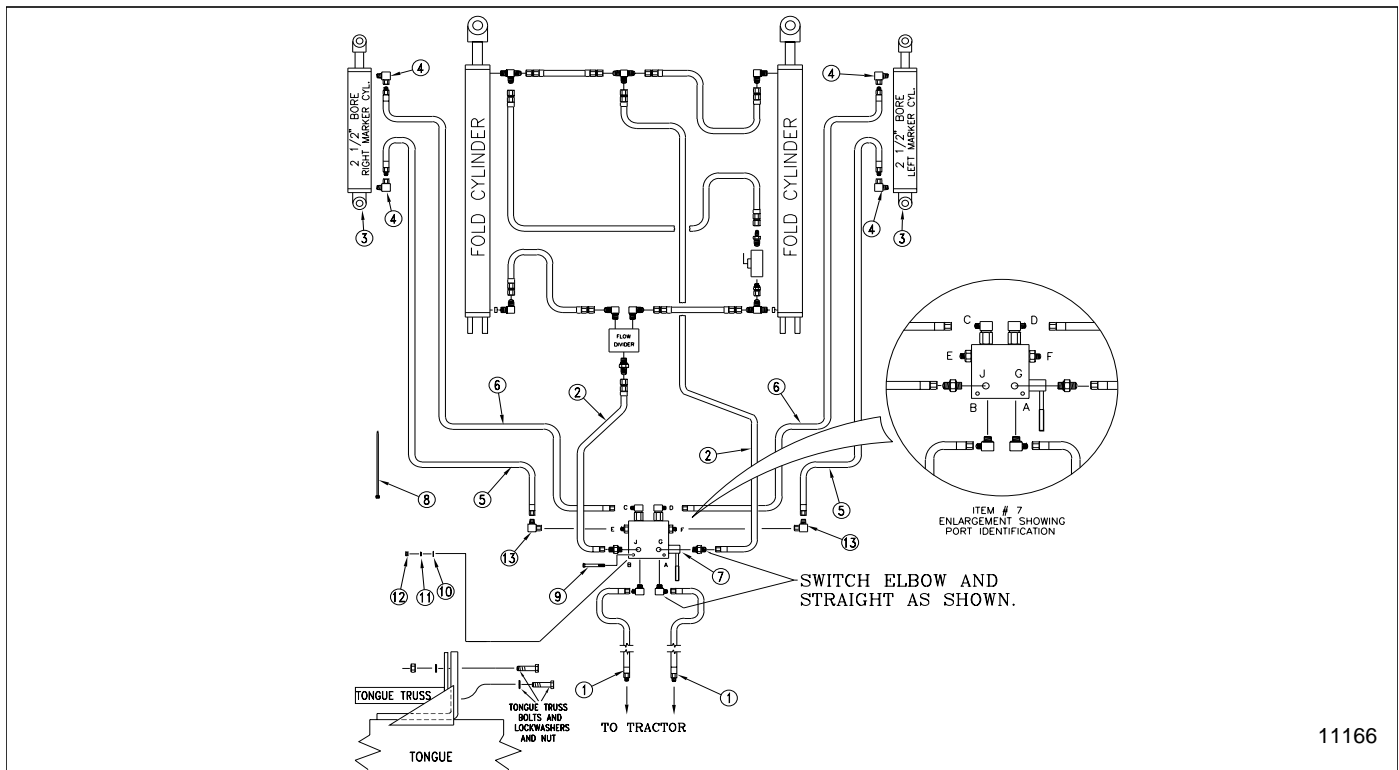
# MARKER HYDRAULIC SYSTEM INSTALLATION (CON'T.)

## INSTALLING: 24 or 30' DUAL MARKER HYDRAULICS

GENERAL NOTE: JIC fittings do not require high torque. JIC and O-ring fittings do not require sealant. To avoid cracking fittings or castings from overtightening, DO NOT use plastic sealant tape.

REFER TO THE PICTORIAL HYDRAULIC SCHEMATIC Fig. 9 WHEN INSTALLING: 24 or 30' DUAL MARKER HYDRAULICS

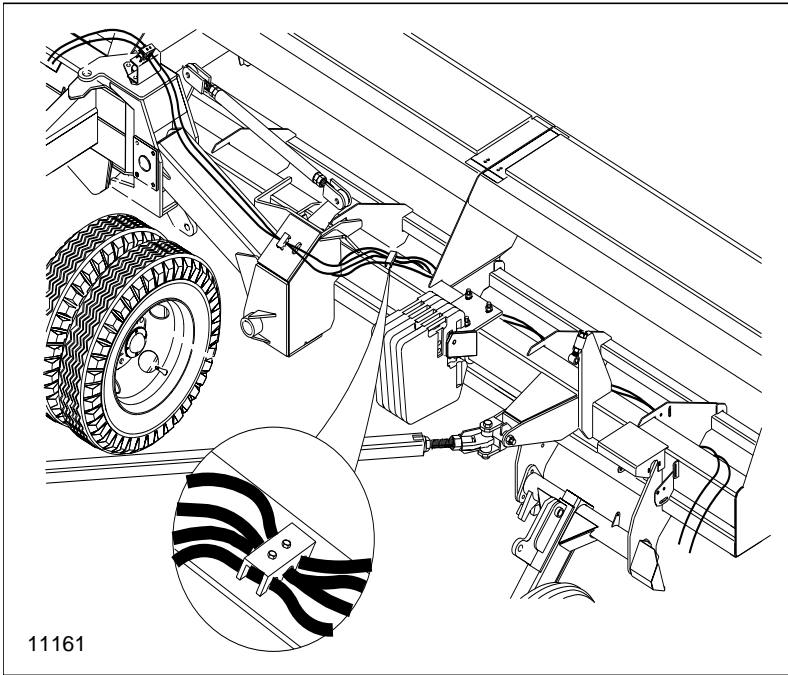
1. Attach the 90° swivel elbows (#4) to the base and rod end of both marker cylinders (#3).
2. Uncoil and attach hoses (#5 & 6) to the swivel elbows (#4) attached to the marker cylinder (#3). Note that the longer of the two hoses goes to the rod end of the cylinder. Route these two hoses through the frame member cut-outs and hose clamp. Parallel to the hoses feeding the outer gage wheel cylinder as shown in Fig. 10 on page 1-11. Place the hoses in the clamps later, after the free ends of the hoses are plumbed.
3. Referring back to schematic Fig. 9, Bolt the selector/sequence valve (#7) to the tab welded on the carrier lug cross member. (The carrier cross member can be identified as part #5, page 1-1 in the Main Frame Parts Drawing in the Parts section of your 2snt Drill Owners Manual). The valve is held in place with bolts (#9), flat washers (#10), lock washers (#11) and nuts (#12).
4. As noted in the schematic, Fig. 9, switch the elbow and straight fittings on ports A and G of the sequence/selector valve (#7). Do the same for ports B and J. Next, install the two elbow fittings (#13) on ports E and F.
5. Locate the two long hoses (#1) coming from the tractor, going to the fold cylinders. Break the first hose at the "T" between the rod end of the fold cylinders, the second at the flow divider. Take these same two hoses and install them on the selector/sequence valve (#7) ports A and B.
6. The two hoses just removed from the fold cylinders are replaced by two shorter hoses (#2). Run one from the "T" between the rod end of the fold cylinders to port G on the top of the selector/sequence valve (#7). Run the other from the fold cylinder's base end flow divider to the adjacent port J.
7. The last hoses to connect should be the four coming from the marker cylinders. Connect the base end hoses (#5) to ports E and F on the selector valve (#7), and the rod hoses (#6) to ports C and D as shown.



Dual Marker Hydraulic Schematic  
Fig. 9

## HOSE CLAMPING AND ROUTING

8. Refer to the hose routing illustration Fig. 10 to fine tune the hose placement. Make a generous loop in both hoses near the box's flex hinge. This loop should be large enough to allow the outer box wing to flex without the hoses pulling tight. Maintain the loops by clamping the hoses in the existing hose clamps, using the split rubber sleeves as bushings between the clamps and the marker hose. Use the cable ties supplied with the kit to hold the hoses away from any pinch point along their path.



Hydraulic Hose Routing  
Fig. 10

## **MARKER ADJUSTMENTS**

### ***STORAGE SADDLE ADJUSTMENT***

When folding the marker for the first time, it may be necessary to move the marker storage saddle, Fig. 6 (#50) into alignment with the 2nd section of the marker arm. Slowly fold the marker(s) and stop when the marker is just above the storage saddle. Adjust the bracket(s) in or out as needed.

### ***TRANSPORT CARRIER ADJUSTMENT***

After centering the storage saddle(s) and folding the marker(s), visually check to see if the height of the transport carrier is correct. Fig. 6 (#45). The 2nd section of the marker should appear parallel with the top of the drill box. If not, loosen the transport carrier u-bolts (#47) and adjust the carrier up or down.

### ***MARKER CHAIN ADJUSTMENT***

There are two basic adjustments needed on the marker chain, especially in new installations. They are interrelated, and should be done in the following order:

1. **LIFTING SLACK.** Start with the marker in the unfolded position. Back the full threaded adjustment bolt Fig. 2 on page 1-4 (#21) down until the head extends as little as possible. Slowly fold the marker, observing the motion of the disk. If the marker disk slides across the ground more than about one foot before the chain and linkage lifts it up, the chain is too slack. Tighten the chain by moving the clevis one or two links at the inboard end of the chain. Recheck by repeating step 1.

If the chain does not have enough slack when the marker is in the unfolded field position, the chain will prevent the end of the marker from dropping down to follow a depression in the field. Correct this condition by moving the utility clevis one or two links, giving the chain more slack.

2. **FOLDED SLACK.** After the adjustments in step one have been completed, fold the marker(s). The full threaded adjustment bolt Fig. 2 on page 1-4 (#21) is provided to take the slack out of the chain while the marker is in the folded position. Extend this bolt until the slack is out of the chain. Lock the bolt in this position by tightening the nuts on either side of the upright channel on section 1.

### ***DISK ADJUSTMENTS***

The aggressiveness and the mark left by the disk may be changed by two methods:

1. **DISK ANGLE.** To change the angle of cut, loosen the two bolts (#41) Fig. 5 on page 1-6, rotate the disk assembly and retighten.
2. **DIRECTION OF CUT.** The disk may be mounted to throw dirt either in or out which will give different marks in different soil conditions. To change the direction of cut:
  - a. Reverse the blade and depth band by remounting the four lug bolts on the disk hub.
  - b. Reverse the angle of the assembly by removing the adjustment bolts (#41) Fig. 5 on page 1-6 and turning the spindle assembly one half turn. Reinstall and tighten all bolts.

## MAINTENANCE AND LUBRICATION

### ***BREAKAWAY PROTECTION***

The 3 outer sections of the marker are attached to the first section by a hinge pin and a breakaway bolt. The bolt is designed to pull apart if the outer sections contact an obstruction while using the drill.

**NOTE:** The breakaway bolt is a 7/16"-14 x 2" long - grade 2 (G.P. # 802-353C). It is identified as a grade 2 by having no marks on the head. If it breaks, it must be replaced by an equivalent grade 2 bolt to prevent marker damage. See Fig. 11.

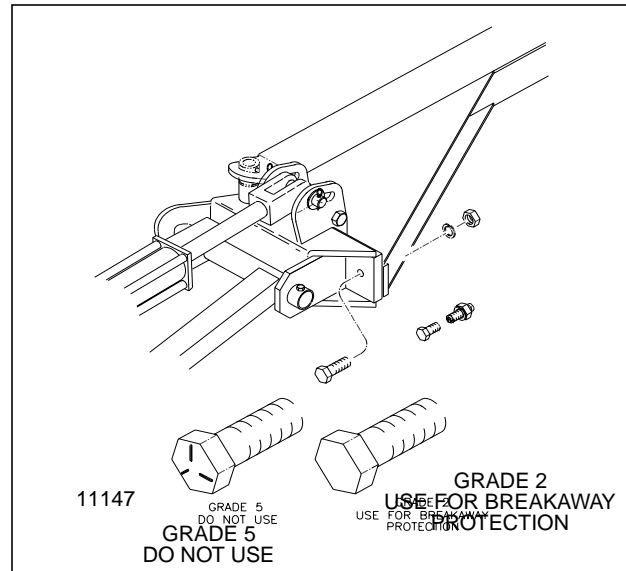


Fig. 11

## **LUBRICATION**

### ***HINGES***

Each hinge on the marker requires greasing every 20-25 hours of operation. A grease fitting is located on the hinge tube at the base end of each section.

### ***DISK BEARINGS***

The tapered roller bearings in the disk hub are lubricated at the factory. Under normal conditions, the bearings need to be repacked every 2 to 3 years. If the grease seal or grease cap becomes damaged or is missing, the hub should be disassembled, cleaned and bearings repacked. A new seal or grease cap should be installed.

## MARKER TRANSPORTING

Always transport the marker with it folded in the flat fold position. Make sure the second marker section(s) rests securely on the transport carrier(s).

## BLEEDING OF THE HYDRAULICS

1. Be sure tractor hydraulic reservoir is full.
2. With the marker(s) in field position, crack the hydraulic hose fitting(s) located at the base end of the cylinder(s). With your tractor at an idle speed, activate your tractor hydraulic valve until hydraulic oil seeps out around the hose ends. Tighten the hose end fittings and repeat this process with the hose end fitting(s) located at the rod end of the cylinder(s). If dual markers are used with a selector/sequence valve, follow the procedure above for one marker cylinder. Then crack the fittings on the back side of the selector/sequence valve, activate the tractor hydraulics valve until hydraulic oil seeps out around the hose ends. Tighten the hose end fittings and repeat the complete process for the opposite marker cylinder.
3. Fold and unfold the marker(s) slowly in order to work all the air out of your marker hydraulics. Use caution when folding and unfolding the marker for the first time, and check for pinching and kinking of hoses.



### **CAUTION! NEVER ALLOW ANYONE NEAR THE DRILL WHEN CYCLING THE MARKERS!**

4. When the marker cylinder is equipped with a needle valve (#16) of Fig. 7 on page 1-8, screw the needle valve in to adjust the marker speed to a low setting. Fold the marker up and down a few times and recheck for pinching and kinking of hoses. With the tractor engine at an operating rpm, adjust the needle valve to limit the marker to a safe operating speed. When markers are equipped with a selector/sequence valve, the valve has an internal orifice that regulates the marker speed.



### **CAUTION! EXCESSIVE FOLDING SPEEDS CAN CAUSE MARKER DAMAGE!**



**CAUTION! ESCAPING FLUID UNDER PRESSURE CAN HAVE SUFFICIENT FORCE TO PENETRATE THE SKIN. CHECK ALL HYDRAULIC LINES AND HOSES BEFORE APPLYING PRESSURE. FLUID ESCAPING FROM A VERY SMALL HOLE CAN BE ALMOST INVISIBLE. USE PAPER OR CARDBOARD, NOT BODY PARTS, TO CHECK FOR SUSPECTED LEAKS. IF INJURED, SEEK MEDICAL ASSISTANCE FROM A DOCTOR THAT IS FAMILIAR WITH THIS TYPE OF INJURY. FOREIGN FLUIDS IN THE TISSUE MUST BE SURGICALLY REMOVED WITHIN A FEW HOURS OR GANGRENE WILL RESULT.**

#### ***MARKER HYDRAULICS, GENERAL NOTES...***

THE MARKERS CYCLE IN THE FOLLOWING SEQUENCE:

- (1) Right Up, Left Up
- (2) Right Down, Left Up
- (3) Right Up, Left Up
- (4) Right Up, Left Down
- (5) Sequence Repeats

To fold the wing boxes for transporting, position the handle on the selector/sequence valve towards the port marked "G". Hydraulic oil is now diverted to the fold cylinders.

**NOTE:** Raising and lowering speed of the dual markers is regulated by an internal orifice in the sequence valve which is sized for proper operation of the valve spool. **DO NOT** try to adjust or alter this orifice size. This will cause failure of the sequence valve.

**NOTE:** JIC fittings do not require high torque. JIC and O-Ring fittings do not require sealant. Always use liquid pipe sealant when adding or replacing pipe thread fittings. To avoid possible danger of cracking hydraulic fittings from over tightening, DO NOT use plastic sealant tape.

## TROUBLE SHOOTING

### PROBLEM

Hydraulic marker functioning improperly

### SOLUTION

- a. Check all hose fittings and connections for air and oil leaks.
- b. The chain on the folding marker should be slack when the marker is both fully extended and fully raised.
- c. Check tractor hydraulic oil level.
- d. Check all bolts and fasteners.
- e. If needle valve is plugged; open valve, cycle markers, and reset the needle valve.
- f. Double selector valve positioned for fold cylinders. Shift valve to marker sequence position.

Blade does not mark

- a. The marker folding linkage and chain must have enough slack to allow the marker disk to drop down into depressions in the field. Maximum down float should be limited by the slots at the rod end of the marker cylinder, and not by the chain. Read the adjustments section of this manual when adding slack to the chain.
- b. The blade may be reversed to pull dirt in or throw dirt out depending on soil conditions. See disk adjustments in this manual.
- c. An optional smooth blade is available through your Great Plains dealer. The notched blade comes with your marker as standard equipment.



## WARRANTY

Great Plains Manufacturing, Incorporated warrants to the original purchaser that this Marker will be free from defects in material and workmanship for a period of one year from the date of original purchase when used as intended and under normal service and conditions. This Warranty is limited to the replacement of any defective part by Great Plains Manufacturing, Incorporated and the installation by the dealer of any such replacement part: provided that any such defective part is returned to Great Plains within thirty (30) days of the failure.

This Warranty does not apply to any part or product which in Great Plains' judgement shall have been misused or damaged by accident or lack of normal maintenance or care, or which has been repaired or altered in a way which adversely affects its performance or reliability, or which has been used for a purpose for which the product is not designed. This Warranty shall not apply if the product is towed at a speed in excess of 20 miles per hour.

Claims under this Warranty must be made to the dealer which originally sold the product and all warranty adjustments must be made through such dealer. Great Plains reserves the right to make changes in materials or design of the product at any time without notice.

This Warranty shall not be interpreted to render Great Plains liable for damages of any kind, direct, consequential, or contingent, to property. Furthermore, Great Plains shall not be liable for damages resulting from any cause beyond its reasonable control. This Warranty does not extend to loss of crops, losses caused by harvest delays or any expense or loss for labor, supplies, rental machinery or for any other reason.

**No other warranty of any kind whatsoever, express or implied, is made with respect to this sale; and all implied warranties of merchantability and fitness for a particular purpose which exceed the obligations set forth in this written warranty are hereby disclaimed and excluded from this sale.**

This Warranty is not valid unless registered with Great Plains Manufacturing, Incorporated with 10 days from the date of original purchase.