



Yield Pro Drills Fan Sensor Kit

Used with:

- YP1225
- YP1625



When you see this symbol, the subsequent instructions and warnings are serious - follow without exception. Your life and the lives of others depend on it!

General Information

These instructions explain how to replace an existing VA-092000 fan sensor with the components in the 168-044A kit. This kit upgrades your fan assembly to the current sensor. The VA-092000 sensor component is no longer available.

These instructions apply to:

168-044A Fan Sensor Kit

At the completion of the work, 1 existing assembly will be surplus.

Before You Start

Inventory the kit contents per the "Parts List" on page 5.

Determine the type of fan screen installed on your planter:

20002	Flat fan screen (discontinued)
890-624C	Cylindrical cage fan screen

If you desire to also upgrade a flat fan screen, order part number 890-624C from your Great Plains dealer.

If necessary, move the planter to a dry well-lighted location suitable for disassembly.

Park and secure the planter. Secure the tractor if left connected.

Disconnect hydraulic and electrical power to the planter.

Have the following tools at hand:

- Basic hand tools
- Wire cutter
- Wire stripper
- Crimper
- Electrical tape
- Sheet metal snips may be needed if your fan assembly has a flat screen.

Installation

Prepare Both Sensors (all screen types)

Prepare New Sensor Assembly

Refer to Figure 1.

1. Remove the nut (and lock washer) from the new sensor ①.
2. Insert the sensor through the new bracket ② from the indented side.
3. Loosely tighten the nut and washer - some adjustment is required in a later step.

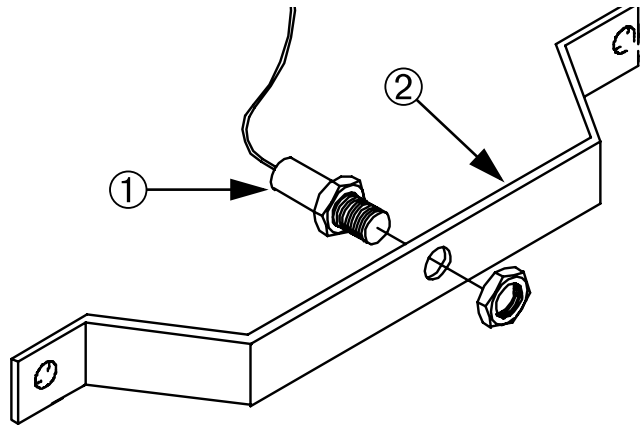


Figure 1
Assemble New Sensor

25111

Cut Old Sensor Cable

Refer to Figure 2.

4. Using wire cutters, cut the existing sensor cable ③ near where it enters the fan screen.

An additional cut may be made later, but this first cut provides ample reserve cable length.

Note: Cage screen assembly shown. Your implement may have a flat screen.

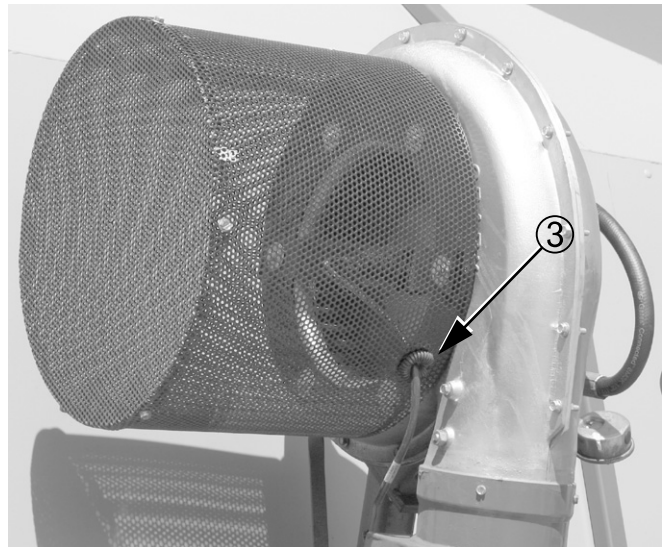


Figure 2
Cut Old Sensor Cable

25112

Sensor Installation (Flat Fan Screens Only)

Remove Screen and Sensor Bracket

Refer to Figure 3.

The screen ④ is attached to the fan housing with four or six 1/4-20x3/4in hex-head sheet metal screws ⑤ and fender washers. Two of the screws also retain the sensor bracket ⑥. As the screws are removed, save them and the fender washers.

5. Remove all but one of the screws and washers, leaving one screw that also retains the sensor bracket.
6. Swing the screw clear of the bracket, and while holding both screen and bracket, remove the last screw. The old bracket and sensor are not re-used, and may be discarded.

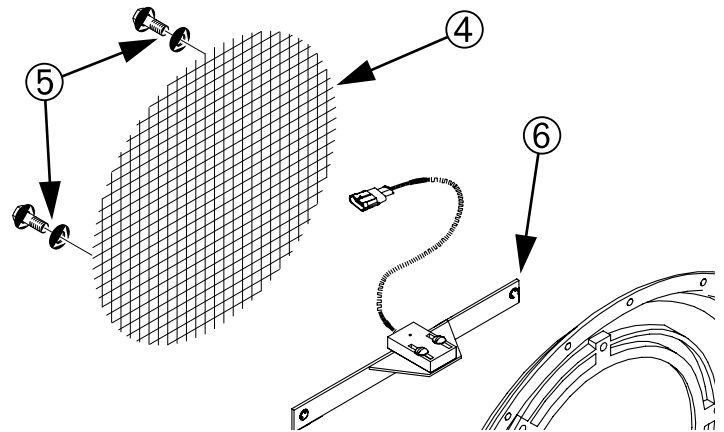


Figure 3
Flat Screen Case:
Remove Old Sensor

Provisionally Install New Sensor

Refer to Figure 4.

7. Mount new sensor/bracket assembly ⑦ with sensor toward fan, and cable away from fan.
8. Adjust sensor position for 1/8 inch. clearance between tip of sensor and magnet on fan disc. Rotate disc slowly by hand to verify clearance.
9. Tighten one or both nuts to lock-in final sensor placement.
10. Remove one screw from sensor/bracket assembly.

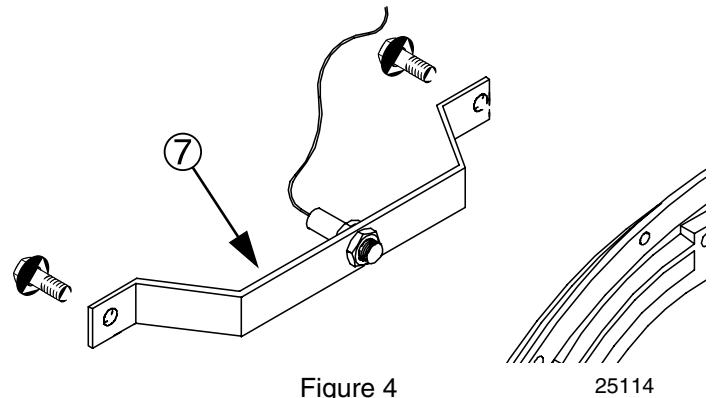


Figure 4
Flat Screen Case:
Temporary Sensor Mounting

Re-Install Fan Screen

11. Mount the fan screen with that one screw at that location.
12. Route the sensor cable through the existing hole used by the old cable.
13. Check that the fan screen can be completely remounted leaving clearance for the new sensor. If not, use snips to create or enlarge a hole in the screen.
14. Swing the screen aside and remove the other bracket mounting screw.
15. Make final screen adjustments and insert and loosely tighten all remaining screws. Visually recheck sensor placement and tighten all screws.

IMPORTANT !

Do not allow the sensor cable to rub against the screen or cable routing hole edges, or the vibration from normal fan operation will degrade the cable insulation and result in eventual sensor circuit malfunction. Insulate the cut edge with electrical tape, or a length of plastic tubing slit down one side.

Sensor Installation (Cylindrical Cage Fan Screens Only)

Remove Screen and Sensor Bracket

Refer to Figure 5.

The screen cage has a flat end cap screen ④ and cylindrical body screen. Although the illustration depicts cage removal, it is usually only necessary to remove the cap.

4. Remove and save the end cap screws ⑤. Keep these separate from the bracket screws removed in the next step, as they may not be identical (or have washers).
5. Remove and save the two $\frac{1}{4}$ -20x $\frac{3}{4}$ in screws and fender washers retaining the sensor bracket. The old bracket and sensor ⑥ are not re-used, and may be discarded.

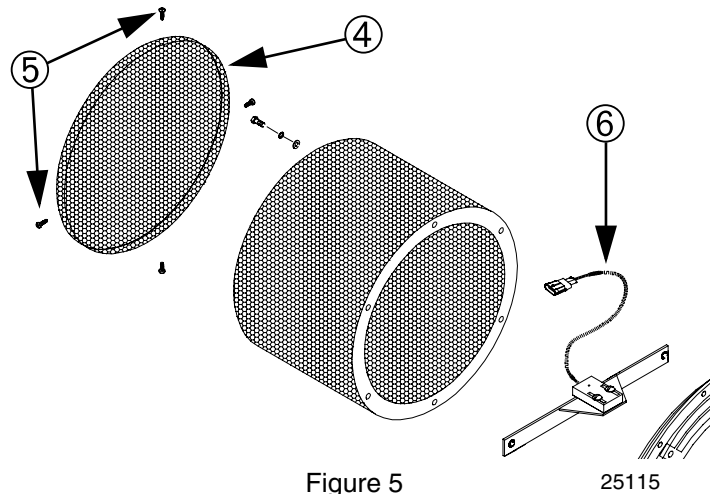


Figure 5
Cage Screen Case:
Remove Old Sensor

Install New Sensor

Refer to Figure 6.

6. Mount new sensor/bracket assembly ⑦ with sensor toward fan, and cable away from fan.
7. Adjust sensor position for $\frac{1}{8}$ inch clearance between tip of sensor and magnet on fan disc. Rotate disc slowly by hand to verify clearance.
8. Tighten one or both nuts to lock-in final sensor placement.
9. Re-install screws and washers retaining sensor bracket.

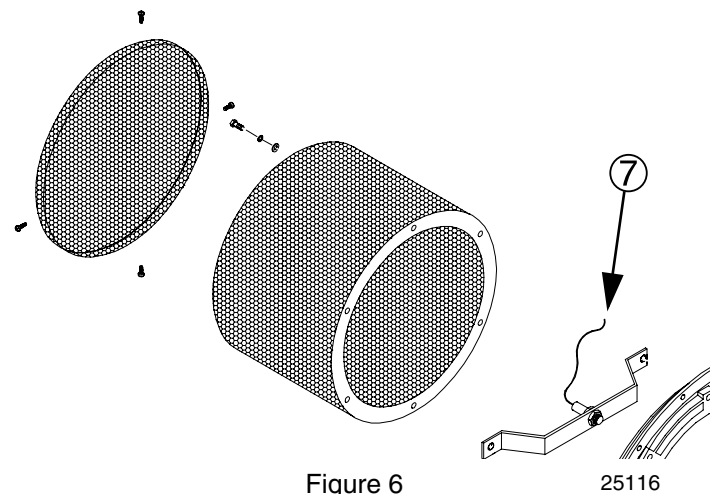


Figure 6
Cage Screen Case:
Install New Sensor

Re-Install Fan Screen

10. {step not required for cage screens}
11. {step not required for cage screens}
12. Route the sensor cable through the existing hole used by the old cable.
13. {step not required for cage screens}
14. {step not required for cage screens}
15. Re-attach screen cap and tighten screws.

Connect New Sensor Cable (all Screens)

16. Determine desired cable routing.
17. Trim excess overlap length from existing cable. Allow enough length for wire-stripping.
18. Strip $\frac{3}{8}$ -inch from each old wire.
Crimp on a connector.
19. Attach the new connectors to the new sensor's cable connectors.

Note: The sensor is a switch and the circuit is not polarized.

20. Protect the connection with electrical tape.

Parts List

168-044A Fan Sensor Kit

Your kit includes:

Qty.	Part No.	Part Description
1	168-045M	This manual
1	168-073D	FAN SENSOR MOUNT
1	823-250C	COIL PICKUP SENSOR

Great Plains Manufacturing, Inc.

Corporate Office: PO Box 5060
Salina, KS 67402-5060 USA