

## Installation Instructions



2S-2600, 3S-3000, & 3S-4000

### Weight Bracket Kit

Used with:

- 2S-2600
- 3S-3000
- 3S-4000



*When you see this symbol, the subsequent instructions and warnings are serious - follow without exception. Your life and the lives of others depend on it!*

## General Information

These instructions explain how to install the Weight Bracket Kit. This kit is designed to add weight to the frame in place of the optional markers. These instructions apply to:

171-099A 26/30/4000 Single HD Weight Kit

### Before You Start

Page 2 is a detailed listing of parts included in the Weight Bracket Kit. Use this list to inventory parts received.

### Tools Required

- Basic Hand Tools

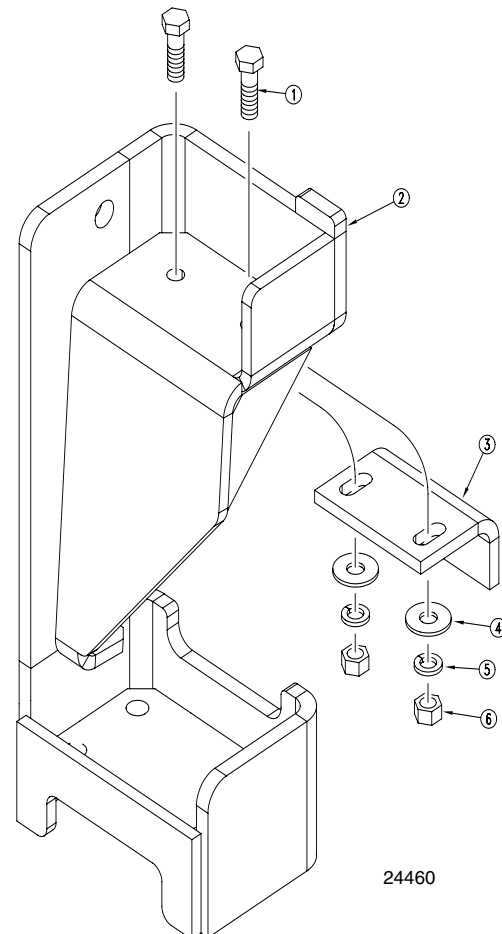
## Assembly Instructions

### Weight Bracket Assembly

*Refer to Figure 1*

NOTE: Weight brackets come in a pair of left and right. The LH weight bracket is shown in Figure 1.

1. Attach each adjustment leg (3) to bottom of weight bracket (2).
2. Insert two 5/8-11 x 2 bolts (1) through top of weight bracket (2).
3. Secure adjustment leg (3) to weight bracket (2) with 5/8 flat washers (4), 5/8 lock washers (5), and 5/8-11 hex nuts (6).
4. Leave bolts (1) and hardware (4,5,& 6) loosened for adjustment.



**Figure 1**  
**Adjustment Leg**

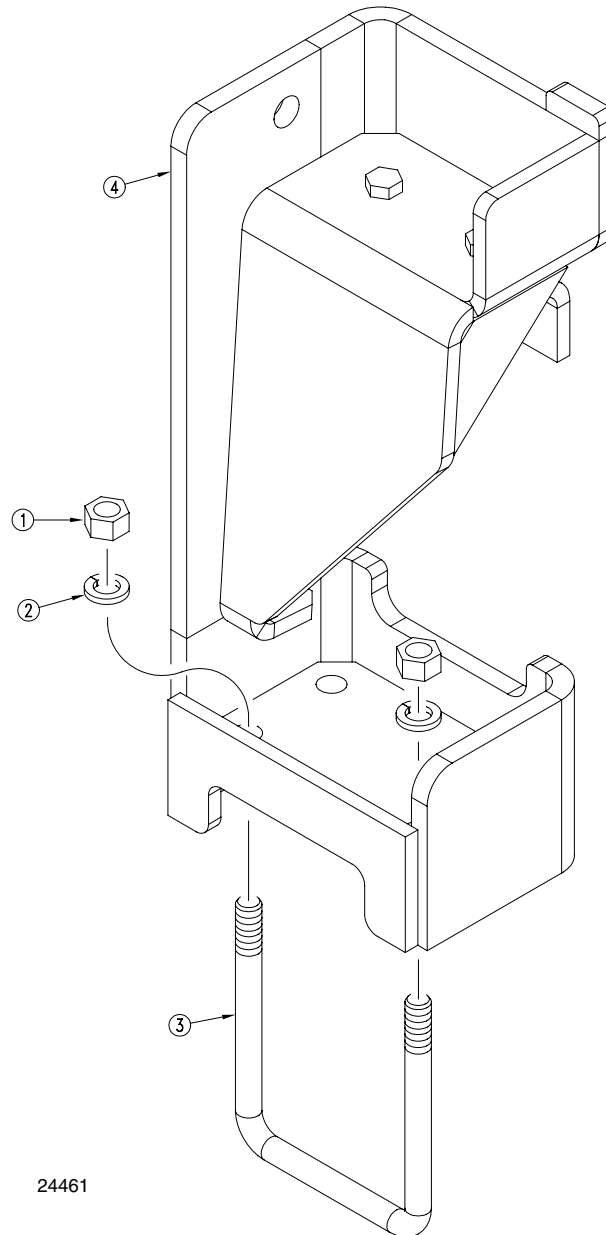
## 2 | Weight Bracket Kit

Refer to Figure 2

5. Place weight bracket (4) to anywhere along drill frame.

**NOTE: Weight brackets may be placed anywhere along frame provided there are no clearance issues.**

6. Attach weight bracket to frame using two 3/4-10 x 6 1/32 x 7 3/4 u-bolts (3), four 3/4 lock washers (2), and four 3/4-10 hex nuts (1).
7. Repeat all steps to attach RH weight bracket to frame.



24461

**Figure 2**  
**Attach Weight Bracket to Drill Frame**

## 171-099A 26/30/4000 Single HD Weight Kit

Your kit includes:

Qty.	Part No.	Part Description
2	171-043D	WEIGHT BRACKET ADJ LEG
1	171-100M	MANUAL 26/30/4000 HD WEIGHT BRACKET
4	802-055C	HHCS 5/8-11 X 2 GR5
4	803-021C	NUT HEX 5/8-11 PLT
8	803-027C	NUT HEX 3/4-10 PLT
4	804-019C	WASHER FLAT 5/8 USS PLT
4	804-022C	WASHER LOCK SPRING 5/8 PLT
8	804-023C	WASHER LOCK SPRING 3/4 PLT
4	806-093C	U-BOLT 3/4-10 X 6 1/32 X 7 3/4