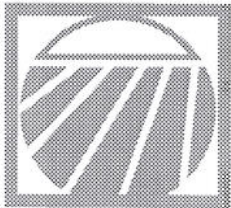


Installation Instructions



Two-Section No-Till Flow-Monitor Kit

Used with:

- 2NT24
- 2NT30



When you see this symbol, the subsequent instructions and warnings are serious - follow without exception. Your life and the lives of others depend on it!

General Information

These instructions apply to:

197-145K 2NT DJ 4R Flow Sensors and Harness

These instructions explain how to install the flow-monitor kit. The kit includes four seed-tube sensors, extension cables and a harness. When used with a DICKEY-john console, this kit allows you to monitor seed flow. If one of the monitored seed tubes becomes plugged, the monitor will sound an alarm.

To use this kit, you must have a DICKEY-john console. Consoles are available through your Great Plains dealer.

Consoles that are compatible with the flow-monitor kit include:

- | | |
|-----------------|--------------------------------------------|
| 833-167C | DICKEY-john PM 1000, 8-Row Console |
| 833-185C | DICKEY-john PM 1000, 12-Row Console |
| 833-169C | DICKEY-john PM 3000 |

Manual Update

Refer to the drill operator's manual for detailed information on safely operating, adjusting, troubleshooting and maintaining the flow monitor. Refer to the parts manual for part identification.

- Two-Section No-Till Operator's Manual 196-126M
- Two-Section No-Till Parts Manual 196-126P

Before You Start

Page 3 is a detailed listing of parts included in the flow monitor package. Use this list as a checklist to inventory parts received.

Assembly Instructions

1. Connect the 6-foot and 15-foot cable extensions together. Connect the cable extensions to the four-row harness. Route the cable extensions and harness over the drill tongue and frame as shown in Figure 1 and Figure 2.

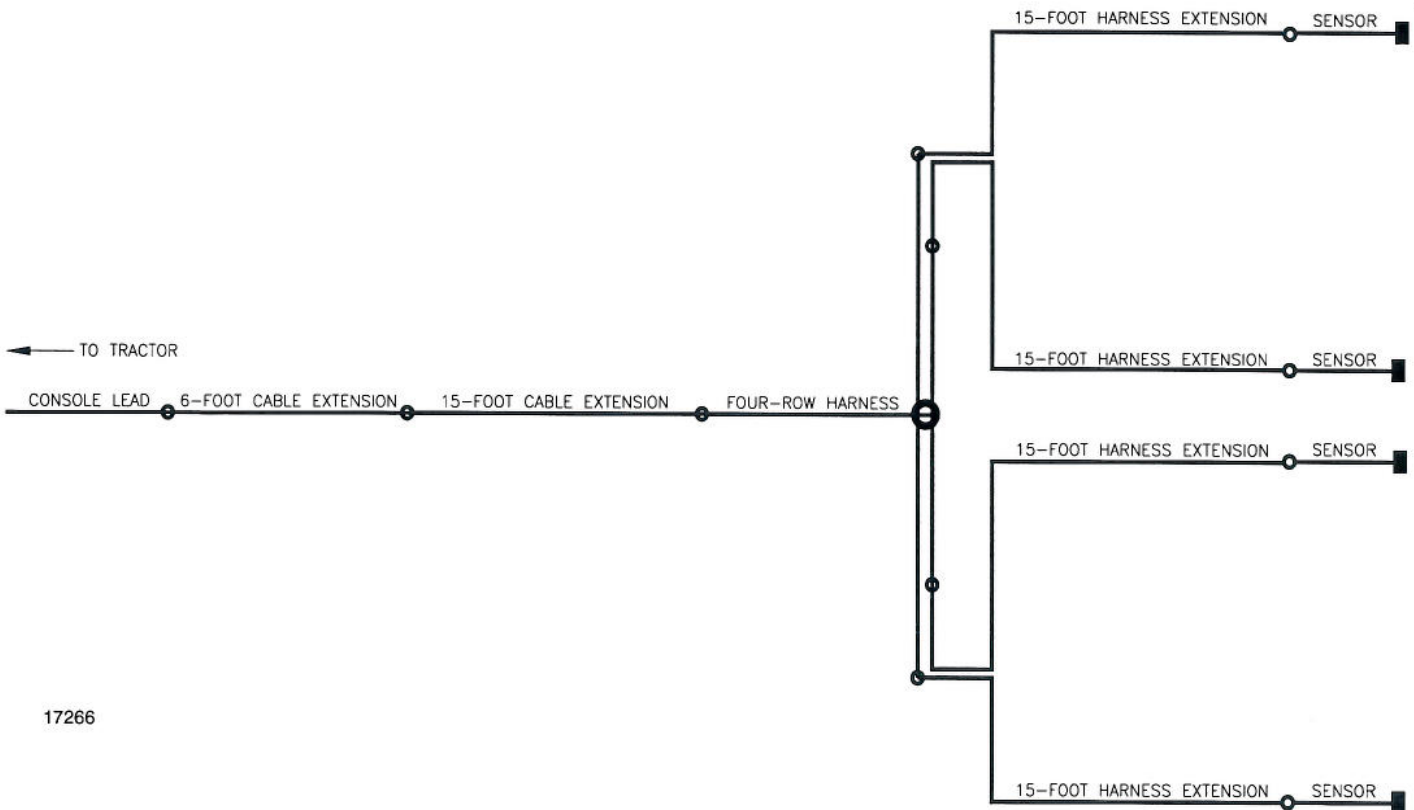


Figure 1
Cable and Harness Connections

Assembly

- Using the wire clamps provided, secure harness to the hydraulic-hose clamps. See Figure 2. Use cable ties to secure cable and harness to frame. Check that the harness and cable will not be damaged during field operation, folding or transport.

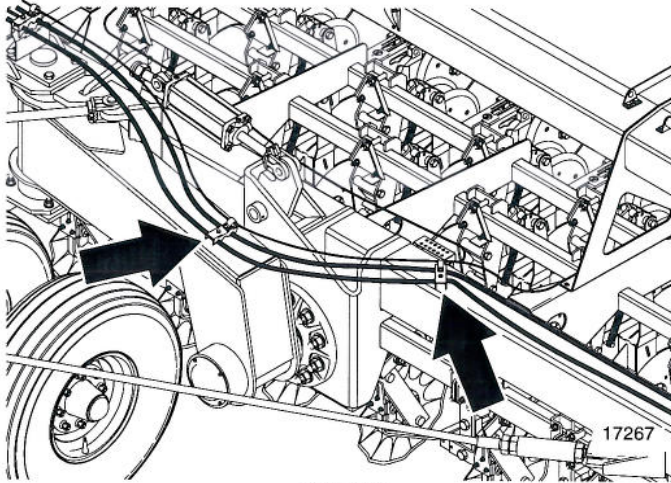


Figure 2
Cable Routing

- Install two sensors per drill box. On each box, install one sensor on the inside seed tube and the other sensor near the middle of the box.
- To install the sensors, refer to Figure 3. Squeeze the seed-hose clamp (1) and remove the seed tube (2) from the seed cup. Clamp a drop-tube connector (3) to the seed-cup outlet (4), then clamp the sensor (5) to the drop tube. Clamp the seed tube to the sensor. Plug the sensor into the harness.

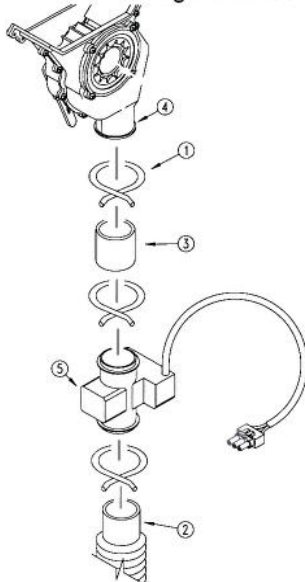


Figure 3
Sensor Installation

17256

197-145K 2NT DJ 4-Row Flow Sensors and Harness*Your Kit Includes:*

Qty.	Part No.	Part Description
1	197-146M	MANUAL DJ FLOW SENSORS & HA
8	800-009C	CLAMP HOSE 1 5/8 NO. 26
6	800-064C	HOSE CLIP 13/16 ID
12	800-082C	CABLE TIE 21" LONG
4	816-114C	SEED HOSE 30 RIBS X 7 1/2 L
4	816-285C	SGS DROP TUBE CONNECTING HO
1	833-183C	DJ CABLE EXTENSION 15 FT
1	833-210C	DJ CABLE EXTENSION 6FT
4	833-212C	DJ SENSOR EXTENSTION 15FT
4	833-213C	DJ HIGH RATE DRILL SENSOR
1	833-214C	DJ 4 ROW HARNESS