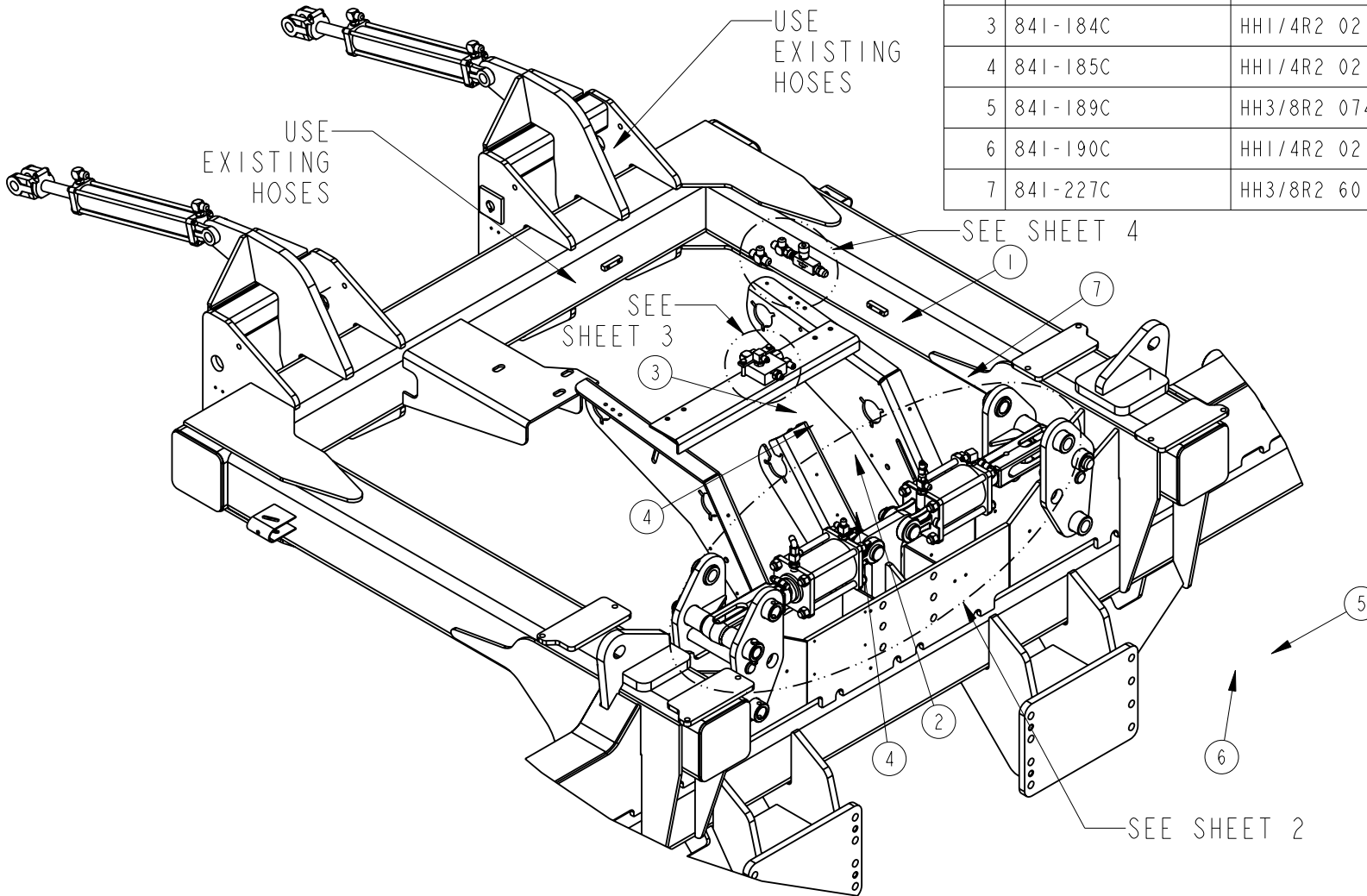


PART NO
401-701A

REV
-

REF	PART NO	DESCRIPTION	QTY
1	811-685C	HH3/8R2 048 3/4FJIC 3/4FJIC	1
2	841-182C	HH1/4R2 021 9/16FJIC	1
3	841-184C	HH1/4R2 021 9/16FJIC	1
4	841-185C	HH1/4R2 021 9/16FJIC	2
5	841-189C	HH3/8R2 074 3/4MORB 9/16FJIC	1
6	841-190C	HH1/4R2 021 9/16FJIC	1
7	841-227C	HH3/8R2 60 9/16FJIC 3/4FJIC	1



SHEET 1 of 4

LTR	BY	DATE	REVISIONS	REL NO

Great Plains

MANUFACTURING INCORPORATED
PO BOX 5060 SALINA, KANSAS 67402-5060

TITLE
KIT 3PYP CONV LOCKED-FLEX WING

DATE
15-Mar-2010

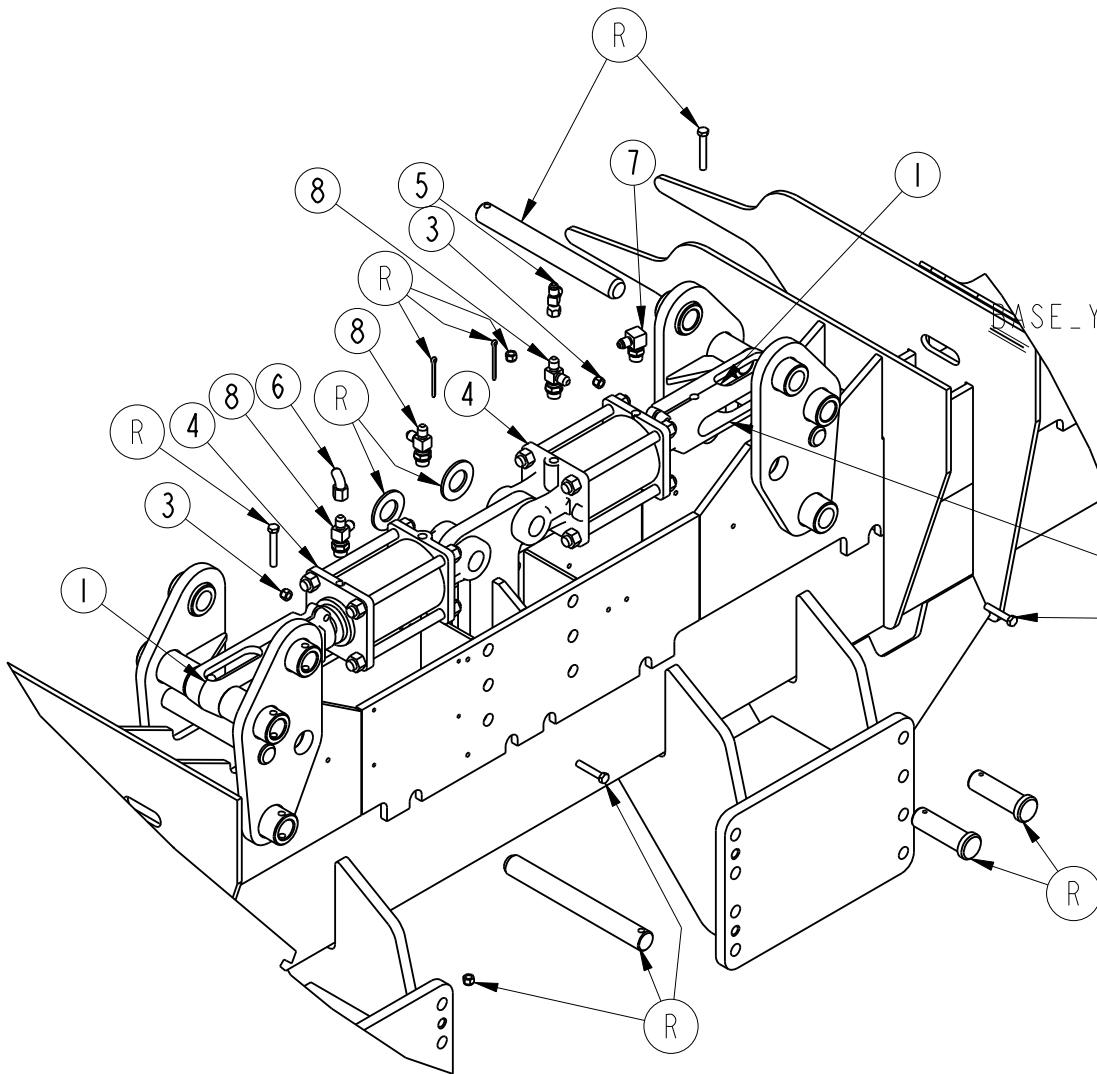
PART NO
401-701A

REV
-

PART NO
401-701A

REV
-

REF	PART NO	DESCRIPTION	QTY
1	411-027D	CLEVIS 1 1/4 ROD END W/SLOT	2
2	802-143C	HHCS 3/8-16X2 GR5	2
3	803-078C	NUT LOCK 3/8-16 NYLON INSERT	4
4	810-597C	CYL 4 X 4 X 1.25	2
5	811-061C	TE 9/16MJIC 9/16MJIC 9/16FJIC	1
6	811-169C	EL 9/16MJIC 9/16FJIC	1
7	811-171C	EL 3/4MORB 9/16MJIC	1
8	811-249C	TE 9/16MJIC 9/16MJIC 3/4MORB	3



(R) = REUSED PARTS

2 - PIN TO GO THRU LONG SLOT
TYP BOTH CYLINDERS

SHEET 2 of 4

LTR	BY	DATE	REVISIONS	REL NO

Great Plains

MANUFACTURING INCORPORATED
PO BOX 5060 SALINA, KANSAS 67402-5060

TITLE
KIT 3PYP CONV LOCKED-FLEX WING

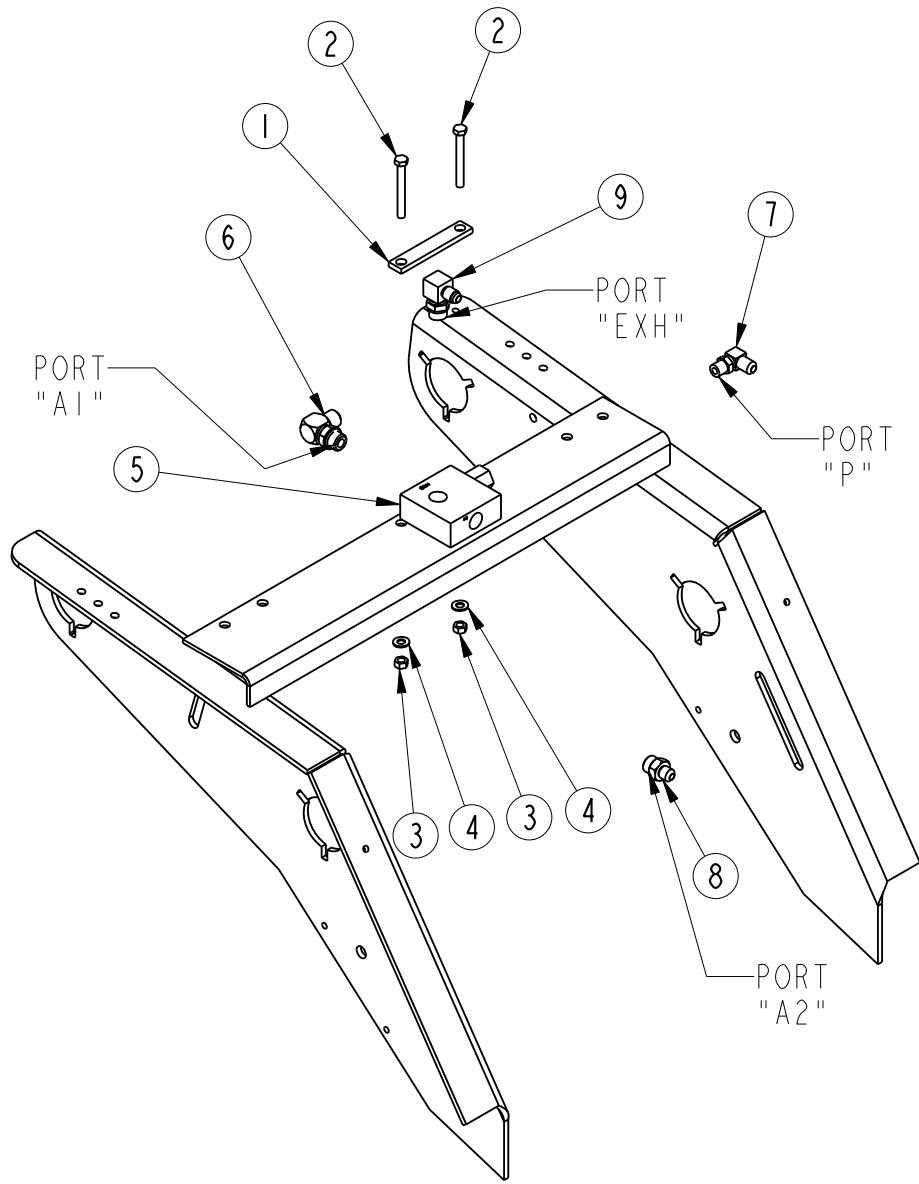
DATE
15-Mar-2010

PART NO
401-701A

REV
-

PART NO
401-701A

REV
-



REF	PART NO	DESCRIPTION	QTY
1	411-335D	STRAP VALVE HOLD DOWN	1
2	802-197C	HHCS 5/16-18X2 3/4 GR5	2
3	803-008C	NUT HEX 5/16-18 PLT	2
4	804-084C	WASHER FLAT 5/16 HARD ASTM F436	2
5	810-086C	VALVE PO CHECK ORB PORTS	1
6	811-063C	EL 3/4MJIC 3/4MORB	1
7	811-065C	EL 9/16MJIC 9/16MORB	1
8	811-133C	AD 9/16MJIC 3/4MORB	1
9	811-171C	EL 3/4MORB 9/16MJIC	1

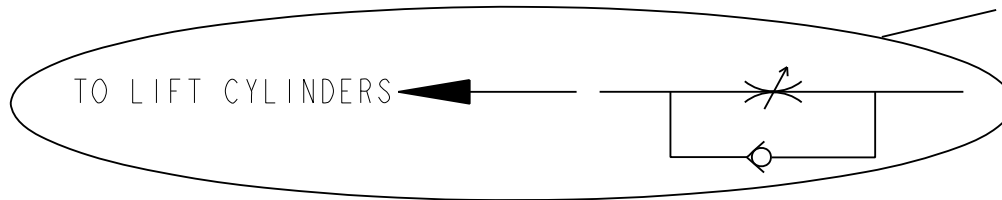
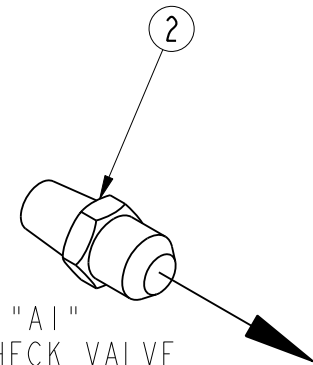
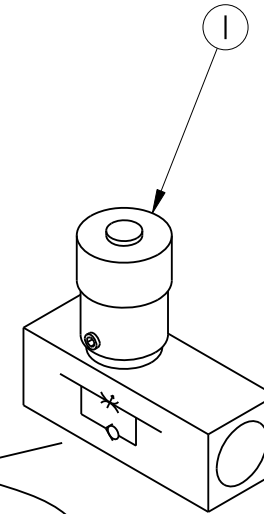
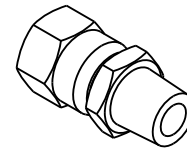
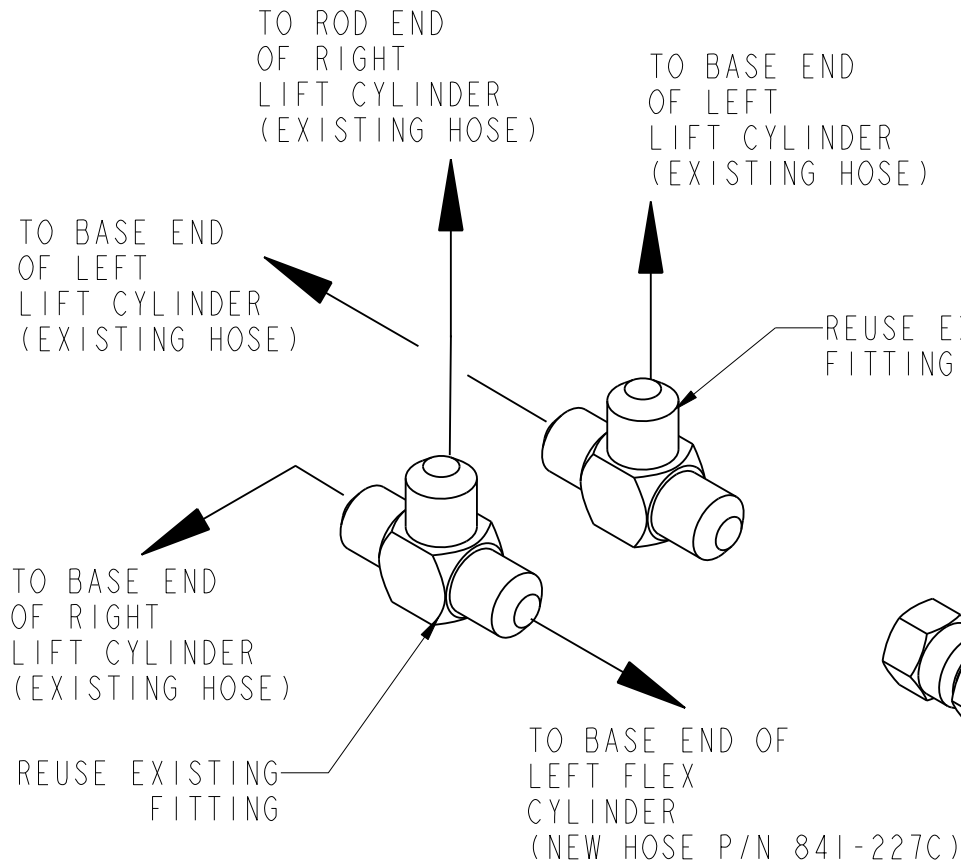
SHEET 3 of 4

LTR	BY	DATE	REVISIONS	REL NO	Great Plains		TITLE	
					MANUFACTURING INCORPORATED PO BOX 5060 SALINA, KANSAS 67402-5060		KIT 3PYP CONV LOCKED-FLEX WING	
							DATE	
							15-Mar-2010	
							PART NO	REV
							401-701A	-

PART NO
401-701A

REV
-

REF	PART NO	DESCRIPTION	QTY
1	810-024C	ONE-WAY RESTRICTOR VALVE	1
2	811-148C	AD 3/4MJIC 3/8MNPT	1
3	841-323C	AD 3/4FJIC 3/8MNPT	1



TO PORT "A1"
ON PO CHECK VALVE
(NEW HOSE P/N 811-685C)

SHEET 4 of 4

LTR	BY	DATE	REVISIONS	REL NO

Great Plains

MANUFACTURING INCORPORATED
PO BOX 5060 SALINA, KANSAS 67402-5060

TITLE
KIT 3PYP CONV LOCKED-FLEX WING

DATE
15-Mar-2010

PART NO
401-701A

REV
-