

Assembly Instructions



Pull-Type Planter Liquid Fertilizer Option

Used with:
 • PL6030 & PL8030 Pull-Type Planter



When you see this symbol, the subsequent instructions and warnings are serious - follow without exception. Your life and the lives of others depend on it!

Before You Start

These option assembly instructions contain only information on assembling the attachment to the main unit. A detailed Operator's Manual was supplied with the main unit when it was purchased. For more specific information on safety concerns refer to the Operator's Manual. Also included in the Operator's Manual is important information on operation, adjustment, troubleshooting, and maintenance for this attachment (some of these sections do not apply to all options).

A separate Parts Manual for replacement parts can be purchased from your dealer. Have model and serial numbers handy when placing an order.

Manual Part Numbers:

- Pull-Type Planter Operator's Manual 401-032M
- Pull-Type Planter Parts Manual 401-032P

General Information

These option assembly instructions apply to the Liquid Fertilizer Options listed below:

- 407-017A Liquid Fertilizer 6-30 Vantage I
- 407-018A Liquid Fertilizer 8-30 Vantage I

Starting on page 6 is a detailed listing of parts included in these kits. Use this list as a checklist to inventory parts received.

Assembly Instructions

For PL6030 & PL8030 follow steps 2, 3 & 8. If attaching the Liquid Fertilizer Option to a PT6030 or PT8030 follow all steps.

Refer to Figure 1:

1. Attach the fertilizer bar assembly (#1) to planter frame using 3/4" corner u-bolts (#2) and 3/4" hex flange nuts (#3). Use the dimensions shown in Figure 2 as reference points to attach the inside tank supports. The outside tank support should be located at the proper distance for the tank depending on whether the planter is a 6 row or 8 row.

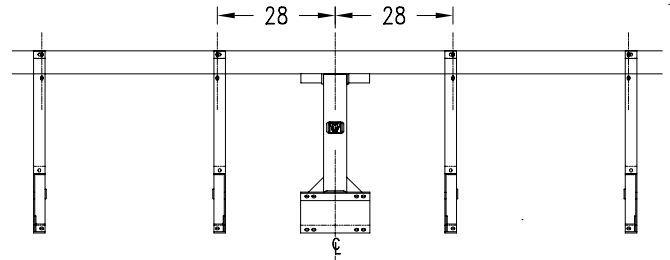


Figure 2

15748

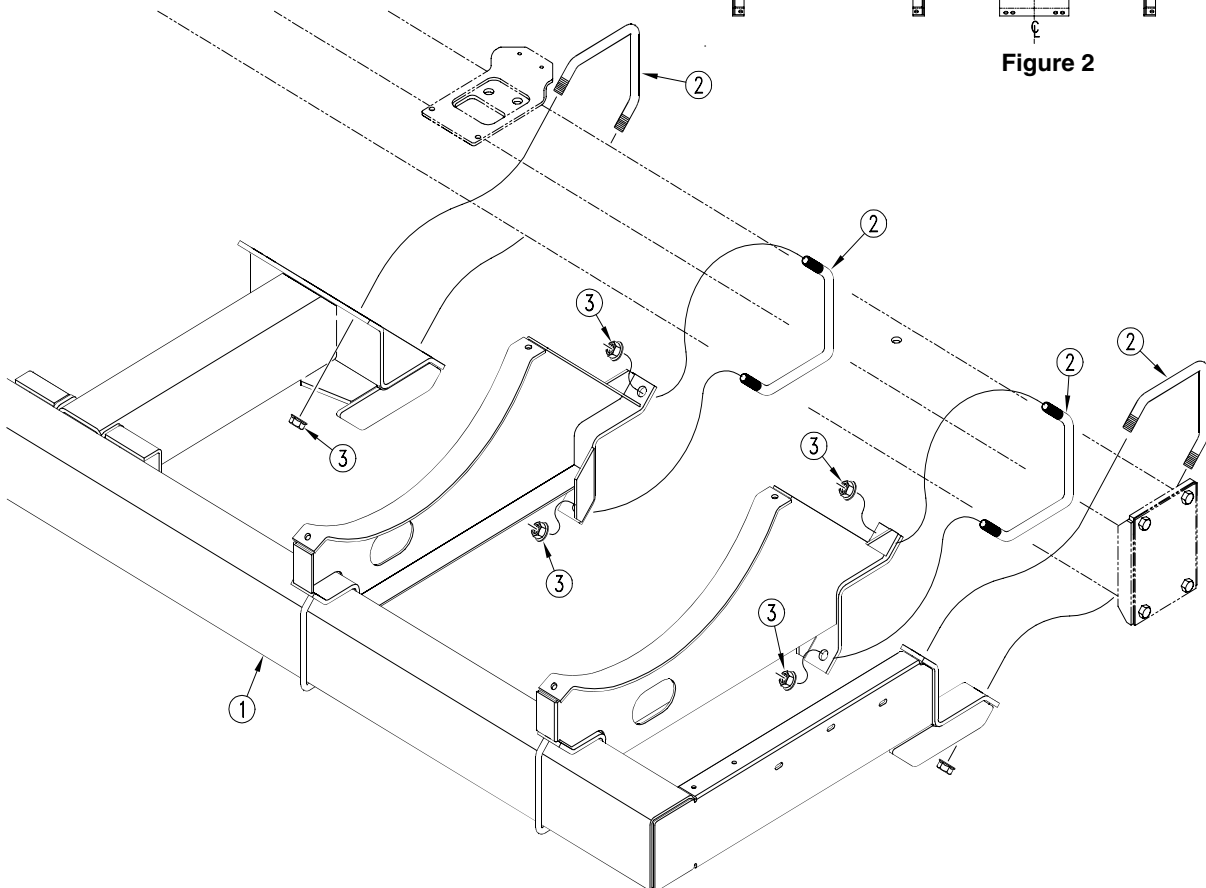


Figure 1

15744

Assembly Instructions

Refer to Figure 3:

- Place saddle (#4) on tank supports and attach with 1/2" x 1 1/4" long hex bolts (#5) and 1/2" hex flange nuts (#6). Be sure the chemical warning decal (#7) is attached to saddle.
- Hold tank (#8) in place by fastening tank shield weldment (#9) to saddle with 3/8" x 2 1/2" long hex bolts (#10), 3/8" x 3/4" long hex bolts (#11) and 3/8" hex flange lock nuts (#12).

Refer to Figure 4:

- Attach right hand pump mount (#13) and left hand pump

mount (#14) to mounts (#15) using 3/8" x 2 3/4" long hex bolts (#16) and 3/8" hex flange lock nuts (#17). Mount these assemblies to planter frame with 3/4" x 3 3/4" long hex bolts (#18) and 3/4" hex flange lock nuts (#19).

- Mount the squeeze pump assembly (#20) to pump mounts with 3/8" x 1" long hex bolts (#21), 3/8" flat washers (#22) and 3/8" hex nuts (#23). Attach fertilizer case (#24) to the right hand pump mount.

Refer to Figure 5:

- Attach fertilizer cover (#25) to fertilizer case with knob (#26).
- For 8-row planters attach counter shaft (#28) using couplers (#27) & (#29).
- Assemble plumbing as shown in Figure 6 with the parts listings on page 4. Be sure to use Rectorseal (#12) on all fittings. Cut to length 3/8" diameter hose to fit your coupler option.

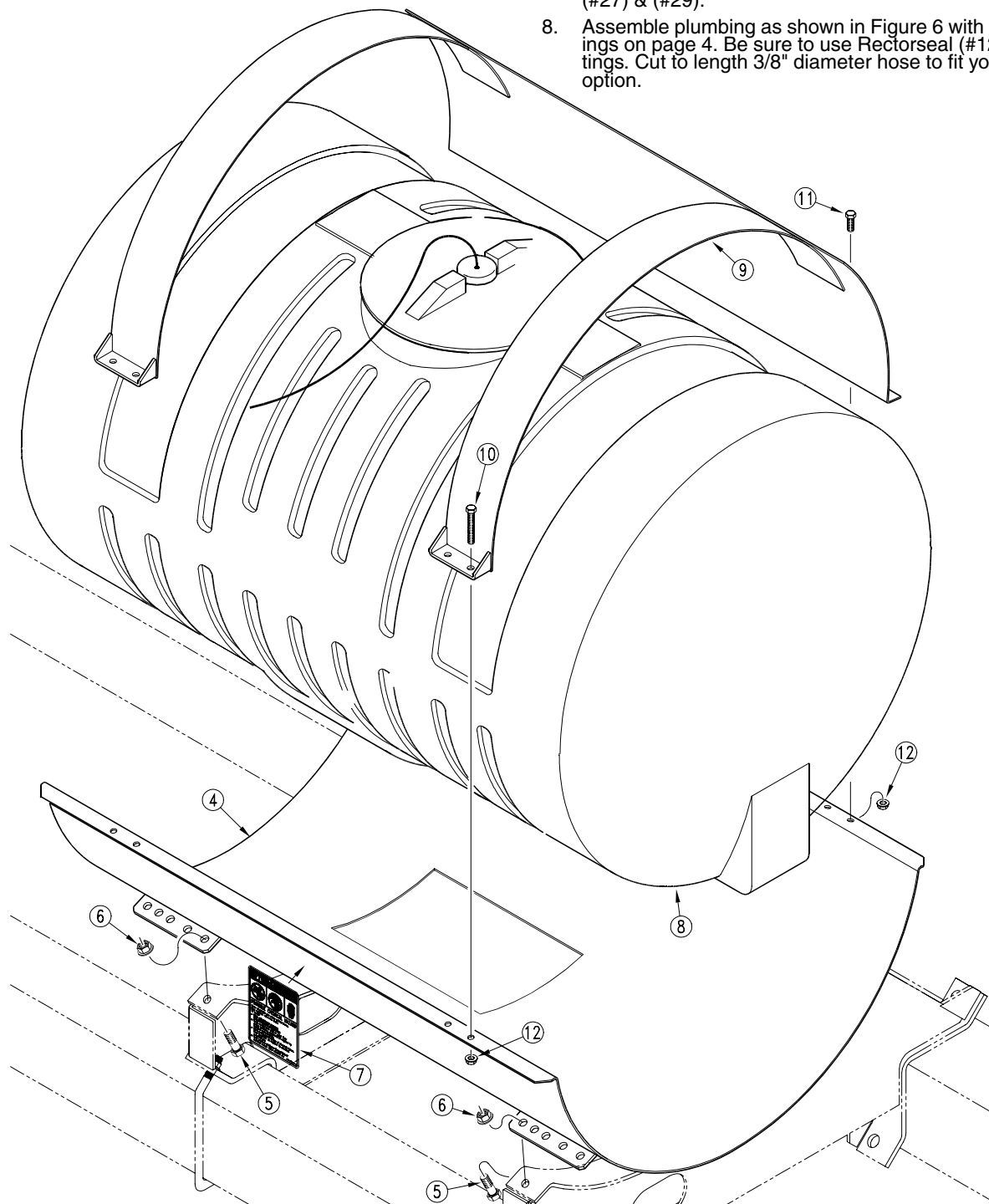
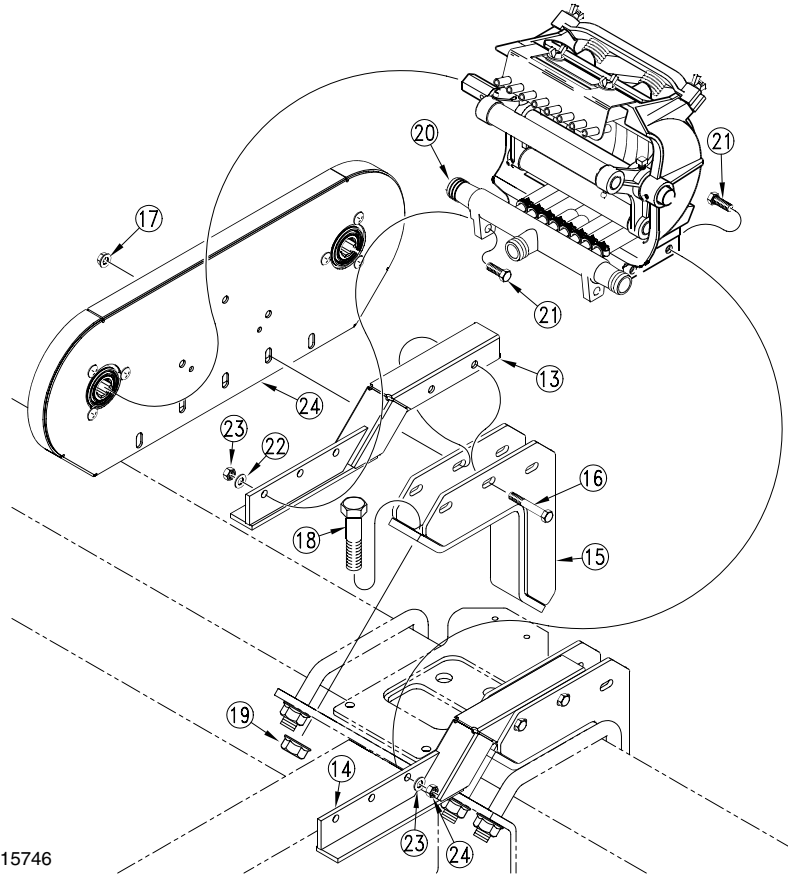


Figure 3

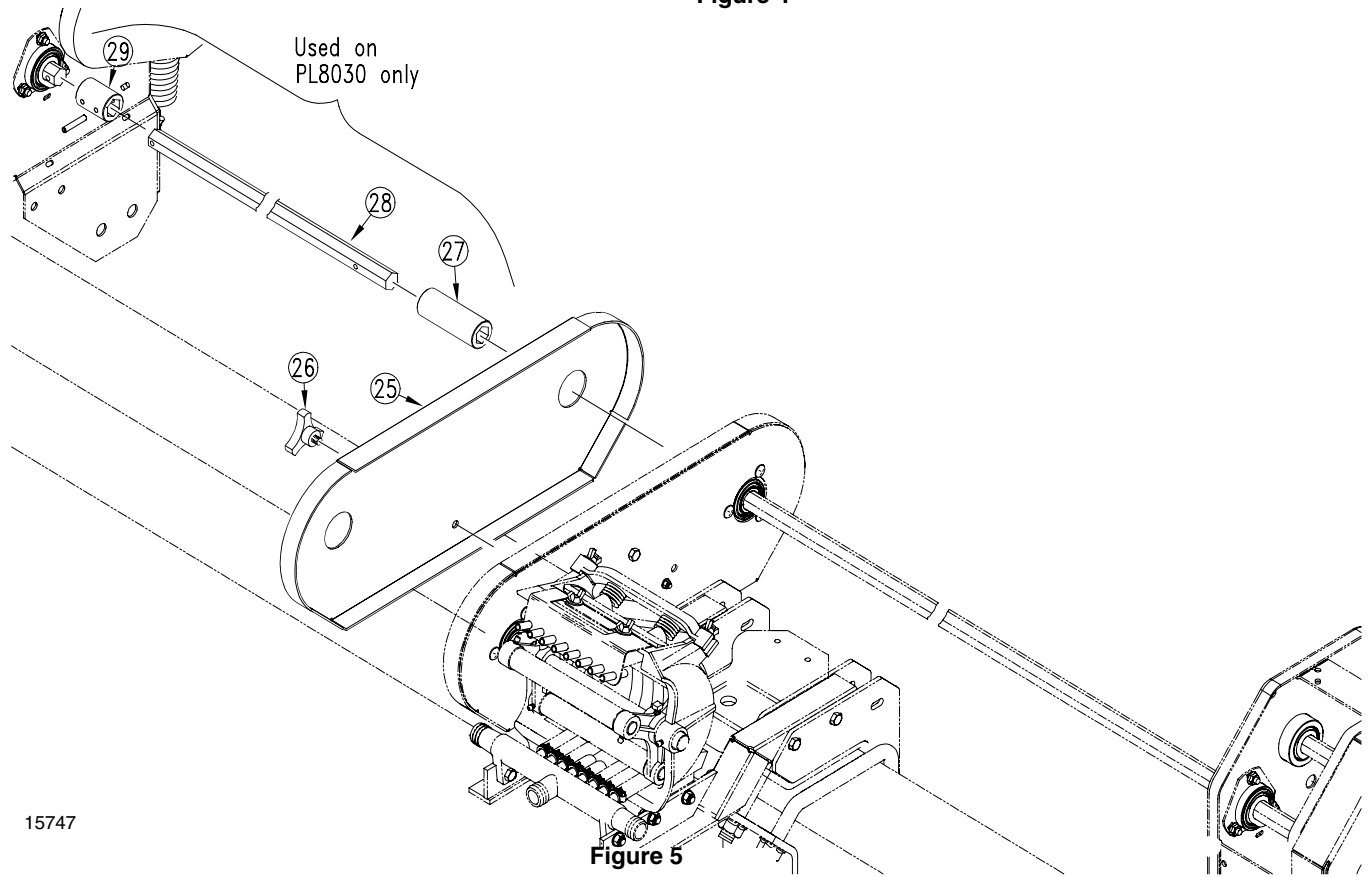
15745

Assembly Instructions



15746

Figure 4



Used on
PL8030 only

15747

Figure 5

Assembly Instructions

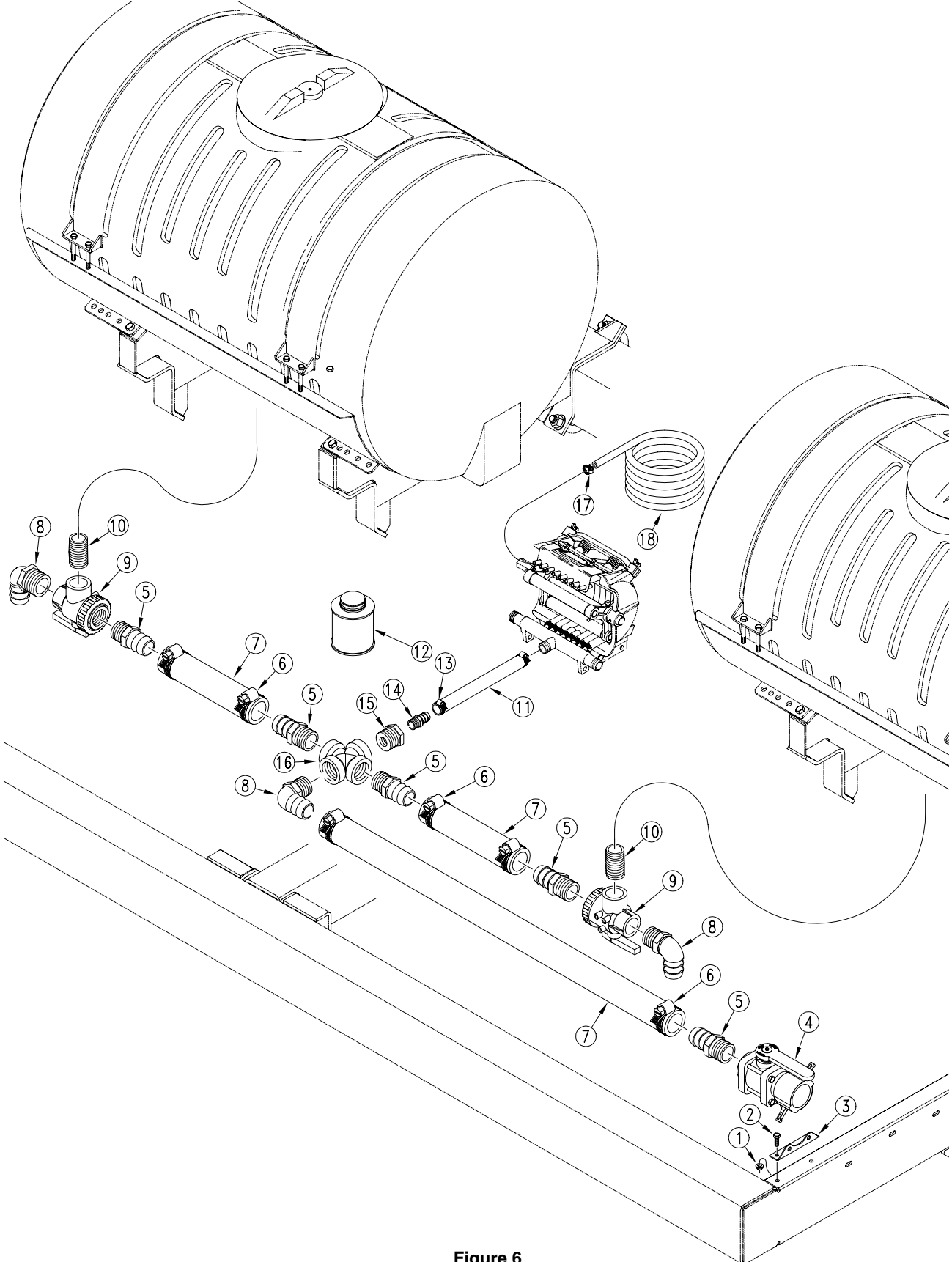


Figure 6

15433

Assembly Instructions

Refer to Figure 6 for the following:

407-025K Liquid Fertilizer Fitting Bundle 6-Row

Ref.	Qty.	Part No.	Part Description
1	2	803-209C	NUT FLANGE LOCK 3/8-16 PLT
2	2	802-014C	HHCS 3/8-16X3/4 GR5
3	1	502-174D	ANGLE - 1 1/2 B VALVE SUPPORT
4	1	829-048C	VALVE - 1 1/2FNPT X 2FCL POLYP
5	5	830-094C	AD 1 1/2MNPT X 1 1/2HB POLYP
6	6	800-125C	CLAMP WRM DRV#28 SS(1.31-2.25)
7	1	990-185T	HOSE 1 1/2 ID 150PSI EPDM X15'
8	3	830-133C	EL 1 1/2MNPT X 1 1/2HB POLYP
9	2	829-052C	VALVE - 3 WAY BOT FILL 1 1/2
10	2	830-160C	AD 1 1/2MNPT SS
11	1	990-186T	HOSE 1 ID 200PSI EPDM X 12"
12	1	890-310C	RECTORSEAL 21 BLK THD SEALANT
13	2	800-257C	CLAMP WRM DRV #20SS (.81-1.75)
14	1	830-087C	AD 1MNPT X 1HB POLYPROP
15	1	830-145C	AD 1 1/2MNPT X 1FNPT POLYPROP
16	1	830-236C	CR 1 1/2FNPT
17	12	800-126C	CLAMP WRM DRV #5 SS (.44-.70)
18	1	990-105T	HOSE 3/8 ID EVA TB X 100 FT

407-026K Liquid Fertilizer Fitting Bundle 8-Row

Ref.	Qty.	Part No.	Part Description
1	2	803-209C	NUT FLANGE LOCK 3/8-16 PLT
2	2	802-014C	HHCS 3/8-16X3/4 GR5
3	1	502-174D	ANGLE - 1 1/2 B VALVE SUPPORT
4	1	829-048C	VALVE - 1 1/2FNPT X 2FCL POLYP
5	5	830-094C	AD 1 1/2MNPT X 1 1/2HB POLYP
6	6	800-125C	CLAMP WRM DRV#28 SS(1.31-2.25)
7	1	990-188T	HOSE 1 1/2 ID 150PSI EPDM X20'
8	3	830-133C	EL 1 1/2MNPT X 1 1/2HB POLYP
9	2	829-052C	VALVE - 3 WAY BOT FILL 1 1/2
10	2	830-160C	AD 1 1/2MNPT SS
11	1	990-186T	HOSE 1 ID 200PSI EPDM X 12"
12	1	890-310C	RECTORSEAL 21 BLK THD SEALANT
13	2	800-257C	CLAMP WRM DRV #20SS (.81-1.75)
14	1	830-087C	AD 1MNPT X 1HB POLYPROP
15	1	830-145C	AD 1 1/2MNPT X 1FNPT POLYPROP
16	1	830-236C	CR 1 1/2FNPT
17	16	800-126C	CLAMP WRM DRV #5 SS (.44-.70)
18	1	990-189T	HOSE 3/8 ID EVA TB X 135 FT

Listing of Parts

407-017A Liquid Fertilizer 6-30 Vantage I

Qty.	Part No.	Part Description
1	407-001H	FERT BAR WELD
2	407-002H	RH TANK SUPPORT WELD
2	407-003H	LH TANK SUPPORT WELD
1	407-007H	RH PUMP MOUNT WELD
2	407-008H	LH PUMP MOUNT WELD
1	407-009H	MOUNT
2	407-019K	HARDWARE BUNDLE
1	407-020K	TANK ASSY, 150 GAL
1	407-022S	SHIELD ASSY, FERT TRANS
1	407-023S	SPKT STORAGE ASSY FERT
1	407-024S	SQUEEZE PUMP ASSY
1	407-025K	LIQUID FERT FITTINGS BDLE 6R
8	803-193C	NUT HEX FLANGE 1/2-13 GR G PLT
3	806-139C	U-BOLT 1/2-13 CORNER 5 X 7
1	818-205C	DECAL WARNING MOVING PARTS H
2	818-323C	DECAL AG CHEMICALS DANGER

407-020K Tank Assembly 150 Gallon

Qty.	Part No.	Part Description
1	407-004H	SADDLE WELD
1	407-011H	TANK SHIELD WELDMENT
1	407-038V	TANK ASSY 150 GAL W/FTG
4	802-014C	HHCS 3/8-16X3/4 GR5
8	802-034C	HHCS 1/2-13X1 1/4 GR5
4	802-261C	HHCS 3/8-16X2 1/2 GR5 FTHD
8	803-193C	NUT HEX FLANGE 1/2-13 GR G PLT
8	803-209C	NUT FLANGE LOCK 3/8-16 PLT

407-019K Hardware Bundle 6-30

Qty.	Part No.	Part Description
1	122-096D	FIRMING WHL, MOUNTING COLLAR
2	402-048D	SLEEVE LEVER MOUNT
1	402-048S	IDLER ASSY, SPKT
1	402-052D	COUPLER SHEAR
1	402-113D	HEX COUNTER SHAFT, FERT.
2	402-132D	LEVER IDLER SPRING
2	402-133D	LEVER IDLER SPRING
1	407-015H	FERTILIZER CASE WELD
2	802-005C	HHCS 1/4-20X1 GR5
3	802-014C	HHCS 3/8-16X3/4 GR5
3	802-092C	RHSNB 5/16-18X3/4 GR5
6	802-204C	HHCS 3/4-10X3 3/4 GR5
2	802-216C	HHCS 3/8-16X2 3/4 GR5
18	803-181C	NUT HEX FLANGE LOCK 3/4-10 PLT
2	803-194C	NUT HEX WHIZ 1/4-20 PLT
4	803-199C	NUT HEX FLANGE 5/16-18 PLT
1	803-201C	NUT HEX COUPLER 3/8-16 X 1 3/4
3	803-209C	NUT FLANGE LOCK 3/8-16 PLT
2	804-007C	WASHER FLAT 1/4 SAE PLT
3	805-180C	PIN ROLL 1/4 X 1 1/2 LG PLT
6	806-102C	U-BOLT 3/4-10 CORNER 7 SQ
1	807-115C	SPRING EXT 7/8ODX5.468X.1W
1	808-150C	SPKT 40B23 X .885 HEX BORE
1	808-151C	SPKT 40B24 X .885 HEX BORE
1	809-142C	CHAIN #40 X 100P W/CONN
2	811-612C	HH1/4R2 32 9/16MJIC 9/16FJIC
2	811-613C	HH3/8R2 32 3/4MJIC 3/4FJIC
1	822-171C	BEARING 7/8 HEX 3 BOLT

Listing of Parts**407-018A Liquid Fertilizer 8-30 Vantage I**

Qty.	Part No.	Part Description
2	407-002H	RH TANK SUPPORT WELD
2	407-003H	LH TANK SUPPORT WELD
1	407-007H	RH PUMP MOUNT WELD
1	407-008H	LH PUMP MOUNT WELD
2	407-009H	MOUNT
1	407-012H	FERT BAR 8-30 WELD
2	407-021K	TANK ASSY, 200 GAL
1	407-022S	SHIELD ASSY, FERT TRANS
1	407-023S	SPKT STORAGE ASSY FERT
1	407-024S	SQUEEZE PUMP ASSY
1	407-026K	LIQUID FERT FITTINGS BDLE 8R
1	407-027K	HARDWARE BUNDLE 8-30
8	803-193C	NUT HEX FLANGE 1/2-13 GR G PLT
4	806-139C	U-BOLT 1/2-13 CORNER 5 X 7
1	818-205C	DECAL WARNING MOVING PARTS H
2	818-323C	DECAL AG CHEMICALS DANGER

407-021K Tank Assembly 200 Gallon

Qty.	Part No.	Part Description
1	407-013H	SADDLE 8-30
1	407-014H	TANK SHIELD 8-30
1	407-039V	TANK ASSY 200 GAL W/FTG
4	802-014C	HHCS 3/8-16X3/4 GR5
8	802-034C	HHCS 1/2-13X1 1/4 GR5
4	802-261C	HHCS 3/8-16X2 1/2 GR5 FTHD
8	803-193C	NUT HEX FLANGE 1/2-13 GR G PLT
8	803-209C	NUT FLANGE LOCK 3/8-16 PLT

407-027K Hardware Bundle 8-30

Qty.	Part No.	Part Description
1	122-096D	FIRMING WHL, MOUNTING COLLAR
2	402-048D	SLEEVE LEVER MOUNT
1	402-048S	IDLER ASSY, SPKT
2	402-052D	COUPLER SHEAR
2	402-132D	LEVER IDLER SPRING
2	402-133D	LEVER IDLER SPRING
1	402-142D	HEX COUNTER SHAFT, FERT 8-30
1	402-143D	HEX COUNTER SHAFT, FERT 8-30
1	402-144D	HEX COUPLER, FERT
1	407-015H	FERTILIZER CASE WELD
2	802-005C	HHCS 1/4-20X1 GR5
3	802-014C	HHCS 3/8-16X3/4 GR5
3	802-092C	RHSNB 5/16-18X3/4 GR5
6	802-204C	HHCS 3/4-10X3 3/4 GR5
2	802-216C	HHCS 3/8-16X2 3/4 GR5
18	803-181C	NUT HEX FLANGE LOCK 3/4-10 P
2	803-194C	NUT HEX WHIZ 1/4-20 PLT
4	803-199C	NUT HEX FLANGE 5/16-18 PLT
1	803-201C	NUT HEX COUPLER 3/8-16 X 1 3/4
3	803-209C	NUT FLANGE LOCK 3/8-16 PLT
2	804-007C	WASHER FLAT 1/4 SAE PLT
1	805-143C	PIN HAIR COTTER .120 PLT
3	805-180C	PIN ROLL 1/4 X 1 1/2 LG PLT
6	806-102C	U-BOLT 3/4-10 CORNER 7 SQ
1	807-115C	SPRING EXT 7/8ODX5.468X.1W
1	808-150C	SPKT 40B23 X .885 HEX BORE
1	808-151C	SPKT 40B24 X .885 HEX BORE
1	809-142C	CHAIN #40 X 100P W/CONN 0
2	811-612C	HH1/4R2 32 9/16MJIC 9/16FJIC
2	811-613C	HH3/8R2 32 3/4MJIC 3/4FJIC
1	822-171C	BEARING 7/8 HEX 3 BOLT