

## Installation Instructions



### Front Fold Boom Sprayers Raven G1 Autboom Assy 2006-

Used with:

- Front Fold Boom Sprayers



*When you see this symbol, the subsequent instructions and warnings are serious - follow without exception. Your life and the lives of others depend on it!*

## General Information

These instructions explain how to install the Raven G1 Autboom Hydraulic Kit. This kit is used to install the hydraulics for the autboom. These instructions apply to:

510-038A Raven G1 Autboom Assy 2006-

### Before You Start

Page 2 is a detailed listing of parts included in the Raven G1 Autboom Assy 2006-. Use this list to inventory parts received.

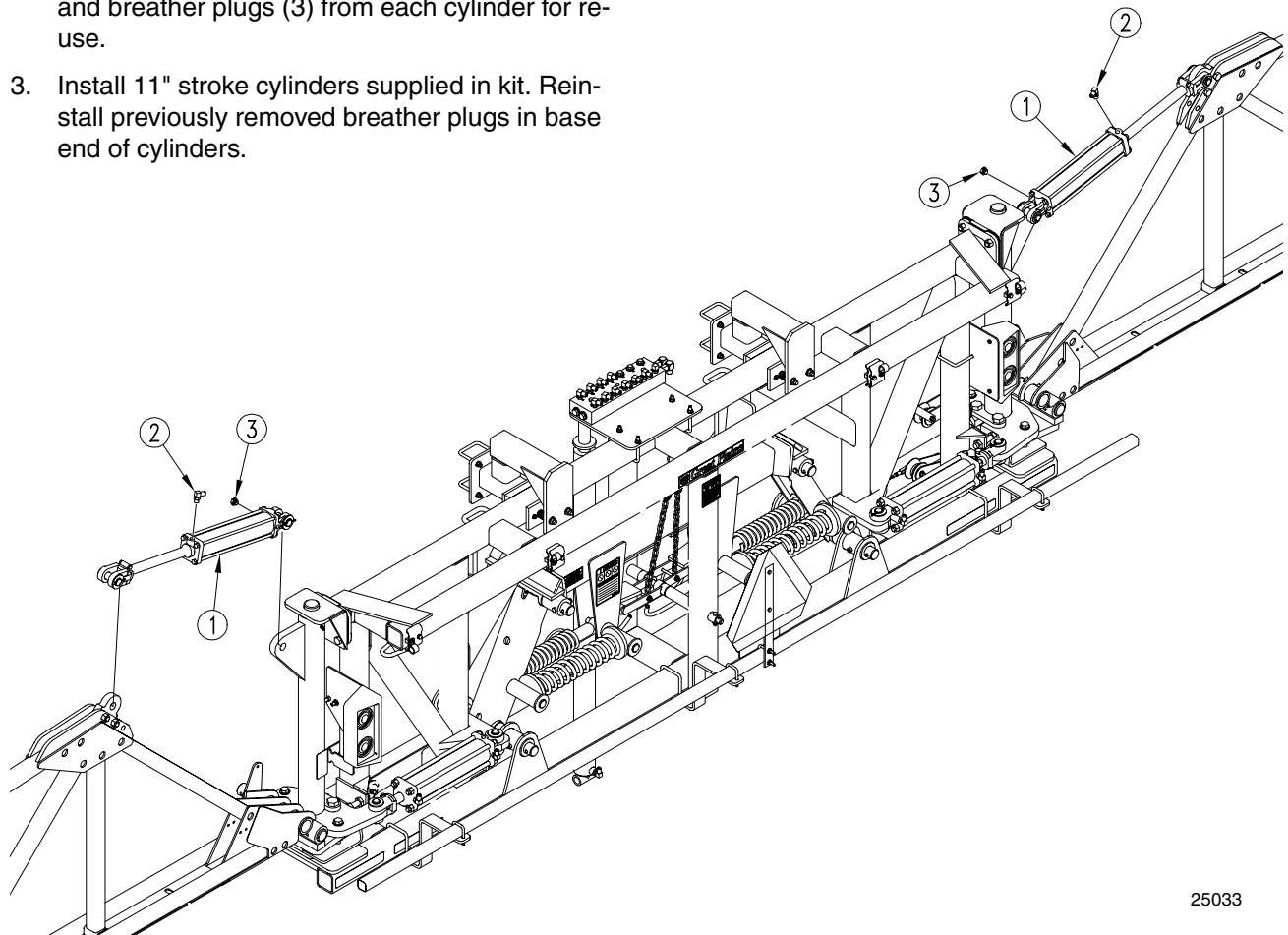
### Tools Required

- Basic Hand Tools

## Assembly Instructions

*Refer to Figure 1*

1. Unfold boom, lower elevator, and place supports at boom ends.
2. Remove tilt cylinders (1) from center section and inner boom. Keep all hydraulic fittings, elbows (2), and breather plugs (3) from each cylinder for re-use.
3. Install 11" stroke cylinders supplied in kit. Reinstall previously removed breather plugs in base end of cylinders.



25033

Figure 1

## 2 | Raven G1 Autoboam Assy 2006-

*Refer to Figure 2*

4. Install previously removed elbow fittings into autoboam valve block. **NOTE: This process is described on pages 18 & 19 of the Raven Manual.**
5. To complete installation, follow the procedure as outlined in the Raven Manual provided.



**Figure 2**

### 510-038A Raven G1 Autoboam Assy 2006-

Your kit includes:

Qty.	Part No.	Part Description
1	117-0138-038	RAVEN G1 AUTOBOAM ASSEMBLY
2	810-591C	CYL 2.5X11X1.25 ROD (TIE)