

Installation Instructions



Front Fold Boom Sprayer Inner Pivot Shear Update

Used with:

- TSF 1080
- TSF 1090
- TSF 1280
- TSF 1290



When you see this symbol, the subsequent instructions and warnings are serious - follow without exception. Your life and the lives of others depend on it!

General Information

These instructions explain how to install the Inner Pivot Shear Kit.

These instructions apply to:

506-264A Inner Pivot Shear Kit TSF90

Manual Update

Refer to the Front Fold Boom Sprayer operator's manual for detailed information on safely operating, adjusting, troubleshooting and maintaining the Inner Pivot Shear Kit. Refer to the parts manual for part identification.

500-641M Operator's Manual

500-641P Parts Manual

Before You Start

Page 3 is a detailed listing of parts included in the Inner Pivot Shear Update package. Use this list to inventory parts received.

Tools Required

- Basic hand tools

Definitions

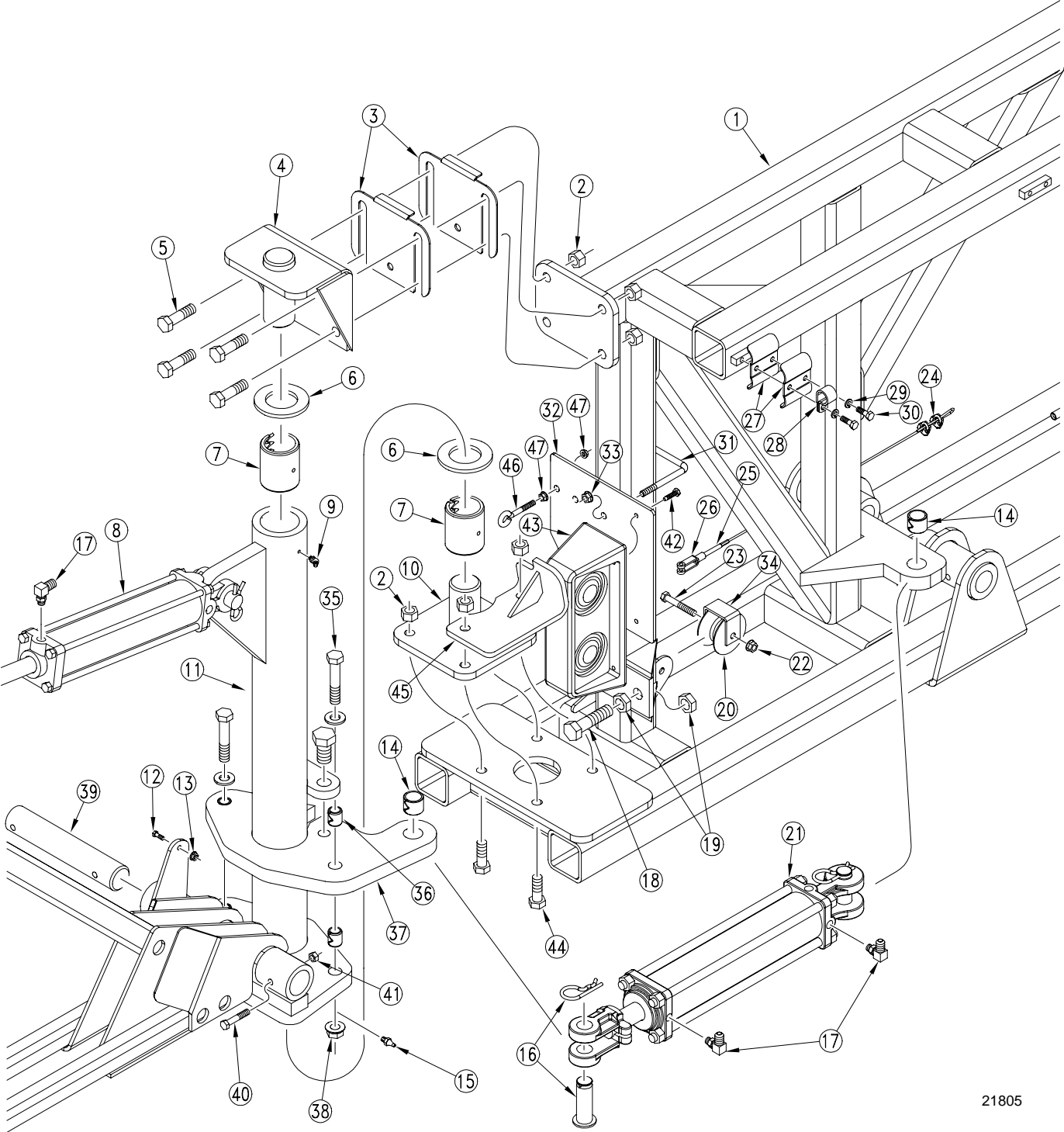
Right-hand and left-hand as used in this manual are determined by facing the direction the machine will travel while in use unless otherwise stated.

Assembly Instructions

Refer to the drawing on the next page.

1. Unfold and support the inner booms. They will need to be disconnected completely. Remove the tilt cylinder pin from the top of the pivot tube and the tilt pivot pin (39) from the bottom of the pivot tube.
2. Unbolt the upper pivot pin (4) at the top of the pivot tube, remove the shims (3), and lift out. Remove the pin (16) from the inner fold cylinder (17) and swivel the cylinder away from the pivot post.
3. Lift up on the pivot post (11) and remove it. Leave the lower pivot pin in place.
4. Take the replacement pivot tube shear bolt assembly and place it on the lower pivot pin (10). Replace the upper pivot pin (4), shims (3) and thrust washer (6). Make sure the pivot tube is free to rotate.
5. Reconnect the inner fold cylinder to the pivot tube shear plate. Position the inner boom on the pivot tube and replace the tilt pivot pin (39). Reconnect the tilt cylinder to the lug at the top of the pivot post.
6. Make sure all bolts are in Place and tightened.

2 Inner Pivot Shear Update



21805

506-264A Inner Pivot Shear Kit TSF90

Your kit includes:

Qty.	Part No.	Part Description
1	506-254S	INNER PIVOT TUBE ASSY SHEAR
1	506-255S	INNER PIVOT TUBE ASSY SHEAR