



## Scot High Volume Hydraulic Sprayer Pump

### Used with:

- TS750
- TS1000



When you see this symbol, the subsequent instructions and warnings are serious - follow without exception. Your life and the lives of others depend on it!

## General Information

These instructions explain how to install the Scot high-volume hydraulic pump. Powered by the tractor hydraulics, the high-volume pump pressurizes the sprayer contents for high application rates.

These instructions apply to:

**507-058A PUMP - TS HIGH VOLUME HYD**

### Manual Update

Refer to the sprayer operator's manual for detailed information on safely operating, adjusting, troubleshooting and maintaining the Scot high-volume hydraulic pump. Refer to the parts manual for part identification.

- TS750 and TS1000 Operator's Manual . . . . .500-104M
- TS750 and TS1000 Parts Manual . . . . .500-071P

### Before You Start

On page 2 is a detailed listing of parts included in the pump package. Use this list to inventory parts received.

### Definitions

NOTE: Useful information related to the preceding topic.

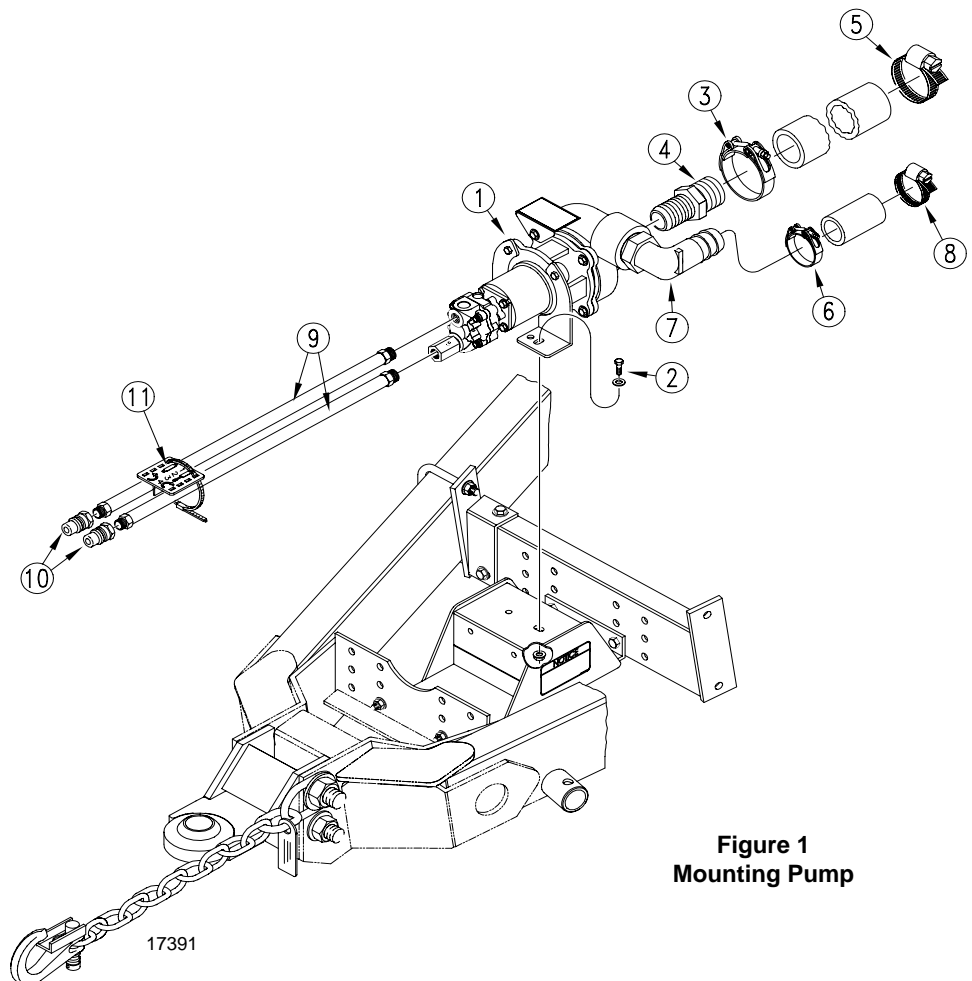
## Assembly Instructions

Refer to Figure 1.

1. Mount pump (1) on pump mount using 3/8-inch bolts (2), washers and nuts.
2. Use a t-bolt clamp (3) to connect 2-inch hose to adaptor on pump inlet (4). Use a worm clamp (5) to connect other end of hose to hose barb on four-way cross.

NOTE: If sprayer is equipped with a flush and rinse system, connect inlet hose to fitting below three-way valve on sprayer.

3. Use a t-bolt clamp (6) to connect 1 1/2-inch hose to elbow outlet (7) on pump. Use a worm clamp (8) to connect other end of hose to Whirlfilter on sprayer.
4. Install hydraulic hoses (9) onto to pump. Install a coupler (10) on end of each hydraulic hose.
5. Using cable tie, secure hoses in hose label (11) about 18 inches from tractor quick couplers. Position label so port A hose is indicated for cylinder retraction and port B hose is indicated for cylinder extension.
6. Tighten all clamps and fittings.



**Figure 1**  
Mounting Pump

**Assembly****507-058A Pump - TS High Volume Hyd***Your Kit Includes:*

Qty.	Part No.	Part Description
1	507-068L	PUMP - SCOT 2 X 2 CENTR HYD
1	800-124C	CLAMP WRM DRV #24 SS (1.06-
1	800-144C	CLAMP WRM DRV #40 SS (2.06-
1	800-207C	CLAMP T-BOLT STRAP (2.18-2.
1	800-208C	CLAMP T-BOLT STRAP (1.81-2.
1	800-303C	CABLE TIE 2 DIA MIN - BLK
2	802-017C	HHCS 3/8-16X1 GR5
2	803-068C	NUT HEX FLANGE 3/8-16 PLT
2	804-011C	WASHER FLAT 3/8 USS PLT
2	811-390C	HH1/2R1 087 3/4MORB
2	811-394C	CP 3/4FORB MALE QD
1	817-348C	PLASTIC HOSE LABEL
1	830-095C	AD 2MNPT X 2HB POLYPROP
1	830-305C	EL 2 MNPT X 1 1/2 HB
6.833	990-124R	HOSE 2 ID EPDM SUCTION
2.458	990-181R	HOSE 1 1/2 ID 150PSI EPDM