

Installation Instructions



Auto Reset Shank Auto Reset Bolt Retainer

Used with:

- Auto Reset Shank



When you see this symbol, the subsequent instructions and warnings are serious - follow without exception. Your life and the lives of others depend on it!

General Information

These instructions explain how to install the Auto Reset Bolt Retainer. A retaining lock to keep auto reset bolts from turning loose.

These instructions apply to:

598-025A Auto Reset Bolt Retainer

Before You Start

Page 3 is a detailed listing of parts included in the Auto Reset Bolt Retainer package. Use this list to inventory parts received.

Tools Required

- Basic hand tools

Assembly Instructions

Refer to Figure 1

1. Raise the implement and install transport locks. Place tractor in park, turn off ignition and remove the key before performing update.
2. Remove the rear 5/8" x 8" bolt (2) and 5/8" lock nut from the rear spring channel (3). Keep the bolt and nut for reuse.

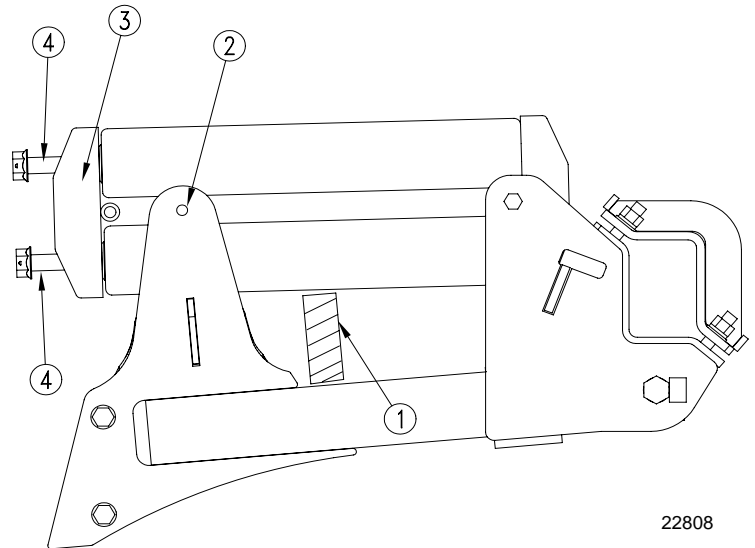
NOTE: If the 5/8" bolt (2) is binding it will be necessary to adjust the 1" bolts (4) *in* to relieve pressure on bolt (2).



DANGER!

Do Not drive or force bolt (2) out. The stored energy of the springs could cause damage or bodily injury when released. Use bolts (4) to relieve pressure on bolt (2).

3. Place a block (1) under the spring to support the springs.
4. Unscrew the 1" x 14" bolts (4) evenly from the springs and remove leaving the spring channel (3) in place. Keep the bolts.



22808

Figure 1
Remove Bolts

2 | Auto Reset Bolt Retainer

Refer to Figure 2

5. Clean and oil the threads on the 1" x 14" bolts.
6. Place the reset spring lock base (1) on the bolts which were removed in step four on page one. Reinsert the bolts in the springs and tighten until the hole in the spring channel aligns with the hole in shank pivot arm. Screw the bolt heads just enough more so the flats on the side of each bolt head are aligned straight up and down.
7. Replace the 5/8" x 8" bolt and lock nut removed in step three on page one and remove the block holding the springs.

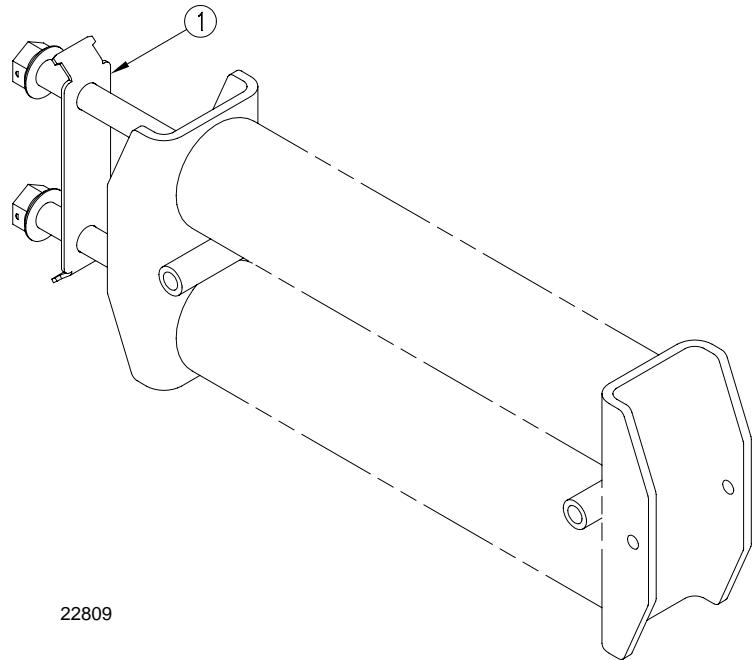


Figure 2
Install Lock Base

Refer to Figure 3

8. Assemble the spring lock clamp (1) together with 5/16" x 2 1/4" bolts and 1/4" lock nuts. Just finger tighten the nuts for now.
9. Place the spring lock clamp (1) over the head of the bolt heads trapping the flats of the bolt. The tabs (2) on the spring lock base (3) must stick into the corresponding holes in the lock clamps (1).
10. Tighten the 5/16" bolts on the spring lock clamp (1) securely trapping the flats on the bolt heads.

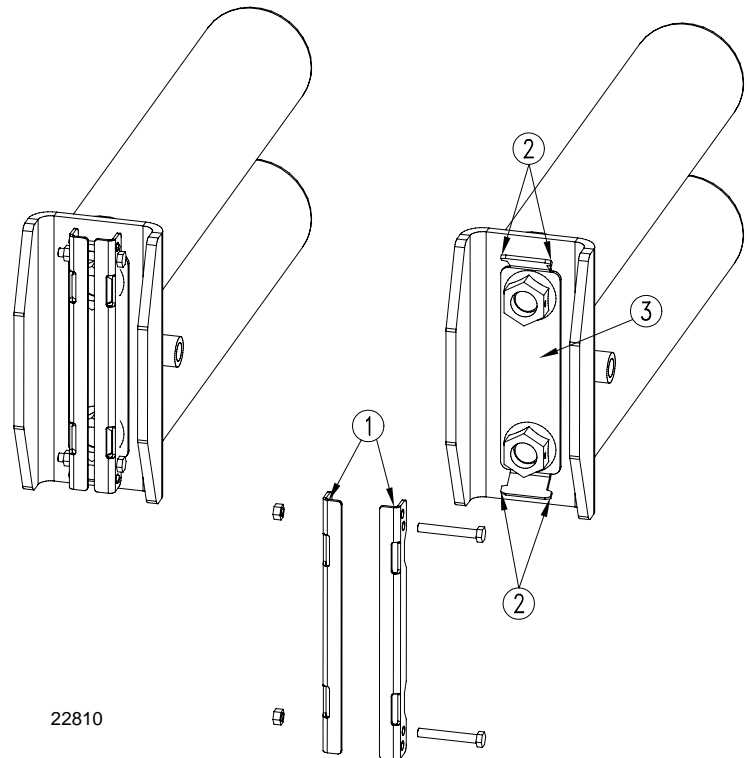


Figure 3
Install Lock Clamp

598-025A AUto Reset Bolt Retainer Kit

Your kit includes:

| Qty. | Part No. | Part Description |
|------|----------|--------------------------------|
| 1 | 598-026M | MANUAL AUTORESET BOLT RETAINER |
| 1 | 598-046D | RESET SPRING LOCK BASE |
| 2 | 598-047D | RESET SPRING LOCK CLAMP |
| 2 | 802-138C | HHCS 5/16-18X2 1/4 GR5 |
| 2 | 803-011C | NUT LOCK 5/16-18 PLT |